



Industrial Shut-off Gun

Standard Model

30342

Weep Model

30630

FEATURES

- Heat resistant Zytel body offers protection for internal parts and long life.
- Special safety lock prevents unintentional operation.
- Contour lever design helps reduce operator fatigue.
- Internal stainless steel ball and seat for extended life.
- Optional notched weep seat for freeze protection.
- Direct acting actuator rod reduces excessive wear during repeated on/off triggering.

SELECTION: Select a gun to match your system flow and pressure requirements, temperature and function being performed.

INSTALLATION: Install the appropriate relief valve when using a shut-off gun to avoid pressure spikes when the gun is shut off. Severe damage can occur to your system without this device. When operating in freezing conditions, use the weep version. For field conversion a standard gun

SPECIFICATIONS

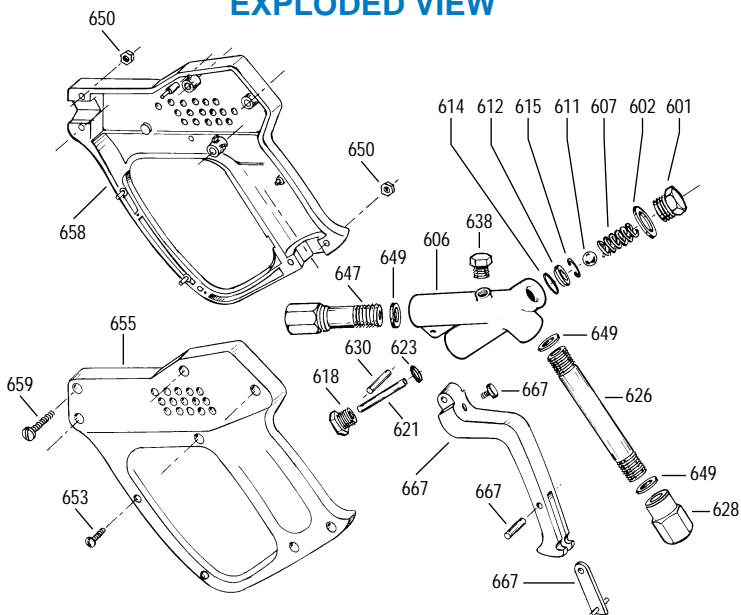
	U.S. Measure	Metric Measure
Maximum Flow	10 GPM	(38 L/M)
Maximum Pressure	3600 PSI	(250 BAR)
Maximum Temperature	300°F	(150°C)
Inlet Ports	3/8" NPT	(3/8" NPT)
Discharge Ports	1/4" NPT	(1/4" NPT)
Weight	28 oz.	(0.871 kg)
Dimensions	8.60 x 6.15 x 1.25" (218 x 156 x 32 mm)	

may be modified to weep by **replacing the standard seat with the weep seat**. It is suggested the color coded trigger also be used when converting to weep.

OPERATION: Flow through the gun occurs by squeezing the trigger on the gun. This activates the actuator rod, lifting the ball off the seat, allowing the pumped fluid to flow through the valve body chamber in the gun. Releasing the trigger shuts off the flow.

“Customer confidence is our greatest asset”

EXPLODED VIEW



PARTS LIST

ITEM	P/N	MATL	DESCRIPTION	QTY
601	30462	BB	Plug, Spring Retainer	1
602	30461	STZP	Washer, Seal, Rubber	1
606	—	BB	Body	1
607	30460	S	Spring	1
611	30459	S	Ball	1
612	30472	S	Seat (Standard)	1
	30426	S	Seat (Weep)	1
614	30471	FPM	O-Ring, Seat	1
615	30473	STZP	Ring, Snap	1
618	30465	S	Nut, Sleeve	1
621	30463	S	Rod, Actuator	1
623	30464	FPM	O-Ring, Actuator Rod	1
626	30457	BB	Pipe, Threaded	1
628	30477	BB	Fitting, Inlet	1
630	30468	—	Needle	1
638	30474	BB	Plug	1
647	30476	BB	Fitting, Discharge	1
649	30475	AL	Gasket	3
650	30480	STZP	Hex Nut (M4)	1
653	30479	STZP	Screw, Self-tap (M2.9 x 13)	1
655	—	ZYT	Handle, Left	1
658	—	ZYT	Handle, Right	1
659	30478	STZP	Screw, Mach. (M4 x 18)	1
665	30455	ZYT	Handle Assembly (Incls: 650,653,655,658,659)	1
667	30481	—	Assembly, Lever, Black (Standard)	1
—	30631	—	Assembly, Lever, Blue (Weep)	1
668	30448	—	Kit, Repair (30342) (Standard) (Incls: 602,611,612,614,615,621,623)	1
—	30427	—	Kit, Repair (30630) (Weep) (Incls: 602,611,612,614,615,621,623)	1
—	30499	FPM	Kit, O-Ring and Gasket (Incls: 614,623,649)	1

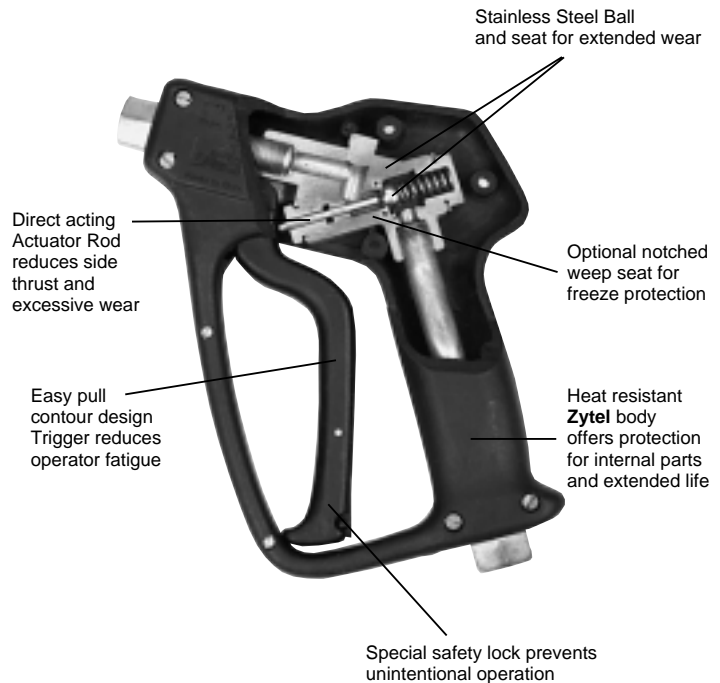
Material Codes (Not Part of Part Number); AL=Aluminum BB=Brass
FPM=Fluorocarbon (Viton®) S=304SS STZP=Steel/Zinc Plated ZYT=Zytel

WARRANTY

90 Day Warranty

Refer to complete Cat Pump Warranty for further information.

CUTAWAY



WARNING

**Severe injury can occur with high pressure spray.
Do not allow spray to contact any part of body.**

TROUBLESHOOTING

Water leaking out the discharge of the gun	<ul style="list-style-type: none"> • Object lodged between the seat and ball. • Seat worn. • O-ring under seat worn.
Water leaking out the lever area	<ul style="list-style-type: none"> • O-ring around push rod worn.
Excessive weeping	<ul style="list-style-type: none"> • Seat worn.

OPTIONAL LANCES

P.N.	Description	Models Used
32036	Square Insulated Single Lance - Black—36"-1/4"	30342, 31096, 36130, 34124
32042	Square Insulated Single Lance - Stainless Steel—36"-1/4"	30342, 31096, 36130, 34124
33201	Square Insulated Dual Lance - Zinc Coated—33"-1/4"	30342, 31096, 36130, 34124
33200	Square Insulated Dual Lance - Stainless Steel—43"-1/4"	30342, 31096, 36130, 34124
36264	Moulded Single Lance - Zinc Coated—24"-1/4" BSP	30342, 31096, 36130, 34124
36267	Moulded Single Lance - Black—28"-1/4" BSP	30342, 31096, 36130, 34124
36268	Moulded Single Lance - Zinc Coated—48"-1/4" BSP	30342, 31096, 36130, 34124

Products described hereon are covered by one or more of the following U.S. patents 3558244, 3652188, 3809508, 3920356, 3930756 and 5035580

Mar 1998 3887

World Headquarters

CAT PUMPS

1681 - 94th Lane N.E. Minneapolis, MN 55449-4324

Phone (612) 780-5440 — FAX (612) 780-2958

e-mail: sales@catpumps.com

www.catpumps.com

International Inquiries

FAX (612) 785-4329

e-mail: intlsales@catpumps.com



The Pump with "Nine Lives"

CAT PUMPS (U.K.) LTD.

1 Fleet Business Park, Sandy Lane, Church Crookham, Fleet

Hampshire GU13 0BF, England

Phone Fleet 44 1252-622031 — Fax 44 1252-626655

N.V. CAT PUMPS INTERNATIONAL S.A.

Heiveldkens 6A, 2550 Kontich, Belgium

Phone 32-3-450.71.50 — Fax 32-3-450.71.51

e-mail: cpi@catpumps.be www.catpumps.be

CAT PUMPS DEUTSCHLAND GmbH

Buchwiese 2, D-65510 Idstein, Germany

Phone 49 6126-93030 — Fax 49 6126-930333

e-mail: catpumps@t-online.de www.catpumps.de