



Industrial Horizontal Shut-off Gun

Model **31096**

FEATURES

- Flow through design makes handling easier.
- Balanced trigger design minimizes trigger force for maximum operator comfort while cleaning.
- Strong, heat resistant Zytel body for internal parts protection and heavy-duty cleaning.
- Internal stainless steel ball and seat assembly extends service life.
- Reinforced safety-latch prevents unintentional operation.
- Notched seat rotates to weep for optional freeze protection.

SELECTION: Select a gun to match your system flow and pressure requirements, temperature and function being performed.

INSTALLATION: Install the appropriate relief valve when using a shut-off gun to avoid pressure spikes when the gun is shut off. Severe damage can occur to your system without this device.

SPECIFICATIONS

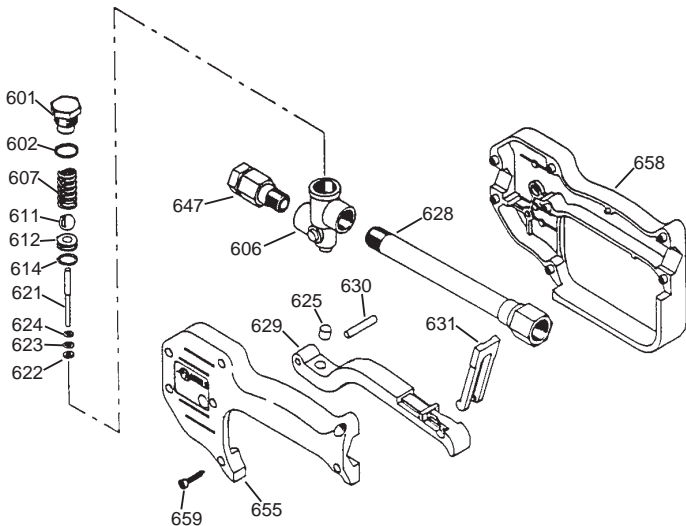
	U.S. Measure	Metric Measure
Maximum Flow	10 GPM	(38 L/M)
Maximum Pressure	4000 PSI	(275 BAR)
Maximum Temperature★	300°F	(150°C)
Inlet Port (1).....	3/8" NPT	(3/8" NPT)
Discharge Port (1)	1/4" NPT	(1/4" NPT)
Weight.....	22 oz.	(0.684 kg)
Dimensions	7.75"x4.0"x1.13"	(197x102x29 mm)

★ Check individual Pump Specifications. Do not exceed pump maximums.

OPERATION: Flow through the gun occurs by squeezing the trigger on the gun. This activates the actuator rod, lifting the ball off the seat and allowing the pumped fluid to flow through the valve body chamber in the gun. Releasing the trigger shuts off the flow.

“Customer confidence is our greatest asset”

EXPLODED VIEW



PARTS LIST

ITEM	PART NO.	MATL	DESCRIPTION	QTY.
601	33377	BB	Nut, Retaining	1
602	33378	NBR	Washer, Seal	1
606	—	BB	Body	1
607	33379	SS	Spring, Piston	1
611	32289	S	Ball	1
612	35004	SS	* Seat	1
614	32008	FPM	O-Ring, Seat	1
621	36403	S	Rod, Actuator	1
622	35074	PTFE	Back-up-Ring, Rod	1
623	35020	FPM	O-Ring, Rod	1
624	35001	BB	Washer, Rod	1
625	36655	S	Striker	1
628	33305	BB	Fitting, Inlet (3/8" NPT)	1
629	36649	NY	Trigger	1
630	33676	BB	Pin, Trigger	1
631	36650	NY	Latch, Safety	1
647	36408	BB	Fitting, Discharge (1/4" NPT)	1
655	—	—	Handle, Left Half	1
658	—	—	Handle, Right Half	1
659	32877	STZP	Screw, Self Threading (M3.5x18)	6
665	36410	ZYT	Assembly, Handle (655, 658, 659)	1
667	36411	NY	Assembly, Trigger (625, 629, 630, 631)	1
668	36407	—	Kit, Repair (Incls: 602, 611, 612, 614, 621, 622, 623)	1

* To convert from standard to weep, rotate seat with notch toward the ball.

MATERIAL CODES (Not Part of Part Number):

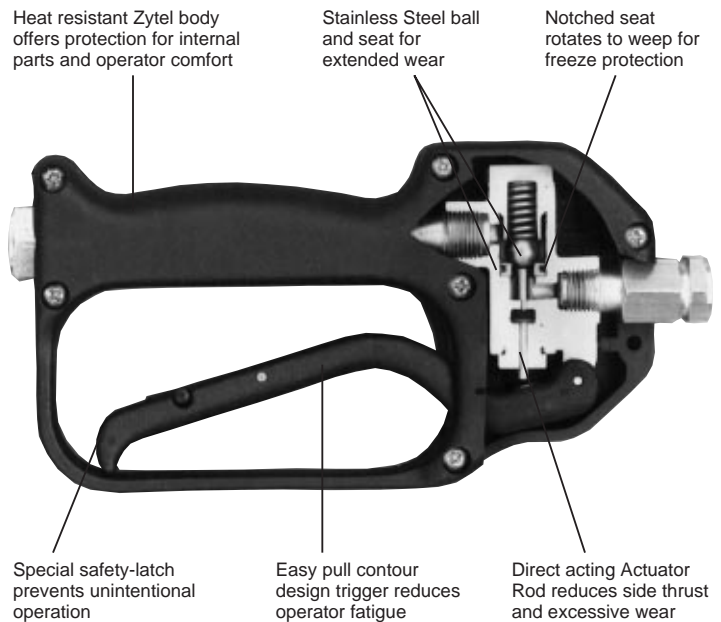
BB=Brass FPM=Fluorocarbon (Viton) NBR=Medium Nitrile (Buna-N) NY=Nylon
PTFE=Polytetrafluoroethylene (Teflon) S=304SS SS=316SS
STZP=Steel/Zinc Plated ZYT=Zytel

WARRANTY

90 Day Warranty

Refer to complete Cat Pump Warranty for further information.

CUTAWAY



WARNING

**Severe injury can occur with high pressure spray.
Do not allow spray to contact any part of body.**

TROUBLESHOOTING

Water leaking out the discharge of the gun	<ul style="list-style-type: none"> Object lodged between the seat and ball Seat worn O-ring under seat worn
Water leaking out the lever area	<ul style="list-style-type: none"> O-ring around push rod worn
Excessive weeping	<ul style="list-style-type: none"> Seat worn

OPTIONAL LANCES

P.N.	Description	Gun Models Used
32036	Lance, Single, Square Insulated Black—36"-1/4"	30342, 31096, 34124, 36130
32042	Lance, Single, Square Insulated Stainless Steel—36"-1/4"	30342, 31096, 34124, 36130
33201	Lance, Single, Square Insulated Zinc Plated—33"-1/4"	30342, 31096, 34124, 36130
33200	Lance, Single, Square Insulated Stainless Steel—43"-1/4"	30342, 31096, 34124, 36130
36264	Lance, Single, Molded Zinc Plated—24"-1/4" BSP	30342, 31096, 34124, 36130
36267	Lance, Single, Molded Zinc Plated—36"-1/4" BSP	30342, 31096, 34124, 36130
36268	Lance, Single, Molded Zinc Plated—48"-1/4" BSP	30342, 31096, 34124, 36130

Products described hereon are covered by one or more of the following U.S. patents 3558244, 3652188, 3809508, 3920356, 3930756 and 5035580

Jan 1998 12725

World Headquarters

CAT PUMPS

1681 - 94th Lane N.E. Minneapolis, MN 55449-4324

Phone (612) 780-5440 — FAX (612) 780-2958

e-mail: sales@catpumps.com

www.catpumps.com

International Inquiries

FAX (612) 785-4443

e-mail: intlsales@catpumps.com



The Pump with "Nine Lives"

CAT PUMPS (U.K.) LTD.

1 Fleet Business Park, Sandy Lane, Church Crookham, Fleet Hampshire GU13 0BF, England

Phone Fleet 44 1252-622031 — Fax 44 1252-626655

N.V. CAT PUMPS INTERNATIONAL S.A.

Heiveldekens 6A, 2550 Kontich, Belgium

Phone 32-3-450.71.50 — Fax 32-3-450.71.51

e-mail: cpi@catpumps.be

CAT PUMPS DEUTSCHLAND GmbH

Buchwiese 2, D-65510 Idstein, Germany

Phone 49 6126-93030 — Fax 49 6126-930333

e-mail: catpumps@t-online.de