



Custom IV Pressure Compensating Shut-Off Gun

Models **31260**
31265

FEATURES

- Durable Nylon-Blend body and trigger provides longer life and less breakage.
- Quality construction stainless steel seat and valve assures thousands of continuous cycles.
- Unique valve design permits extended operation without operator fatigue.
- Special color coded trigger safety latch for easy identification.

SELECTION: Select a gun to match the system flow and pressure requirements, temperature and function being performed. These special, industrial guns are designed to minimize operator fatigue in high pressure applications.

INSTALLATION: If the system is a **single gun system** and the drive source will continue to run while the gun is intermittently shut-off, a pressure unloader should be installed. If **multiple guns** are in the system, either a pressure regulator or a special multiple-gun regulating unloader should be installed. In multiple gun systems, the **guns should be reasonably synchronized in flow** to avoid large amounts of by-pass from unused guns for prolonged periods. This may prematurely fatigue the pressure relief device or generate excessive heat in the by-pass mode. (See PUMP PROTECTORS for additional information.)

SPECIFICATIONS

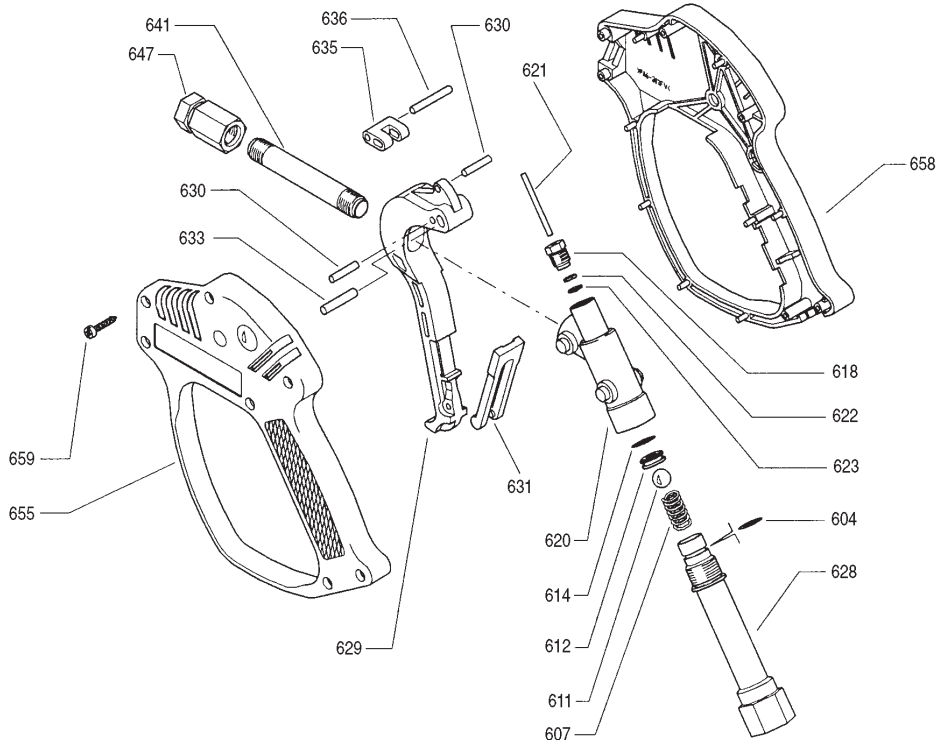
	U.S. Measure	Metric Measure
MODEL 31260		
Maximum Flow	8.0 GPM	(30 L/M)
Maximum Pressure.....	5100 PSI	(350 BAR)
MODEL 31265		
Maximum Flow	13 GPM	(50 L/M)
Maximum Pressure.....	3650 PSI	(250 BAR)
COMMON SPECIFICATIONS		
Maximum Temperature.....	320°F	(160°C)
Inlet Port.....	3/8" NPTF	(3/8" NPTF)
Outlet Port.....	1/4" NPTF	(1/4" NPTF)
Weight.....	23.3 oz.	(0.66 kg)
Dimensions.....	8.25" x 5.5" x 1.25"	(209.6 x 139.7 x 31.8 mm)

OPERATION: Flow through the gun occurs by squeezing the trigger on the gun. This activates the actuator rod, relieving the pressure on the spring and permitting the ball to ease off the seat. Releasing the trigger shuts off the flow by forcing the actuator rod to close the ball into the seat.

For safety and protection of the pump and system, a pressure relief device must be used with a high pressure gun. When the gun is shut off, pressure spikes could result in severe damage to the pump or other components in the system without this device. Carefully examine the functioning of the system to determine the best type of relief valve to be used.

“Customer confidence is our greatest asset”

EXPLODED VIEW



PARTS LIST

31260		31265		ITEM	P/N	P/N	MATL	DESCRIPTION	QTY	31260		31265		ITEM	P/N	P/N	MATL	DESCRIPTION	QTY
ITEM	P/N	ITEM	P/N							ITEM	P/N	ITEM	P/N						
604	33564	33564	NBR	O-Ring, Inlet Fitting	1	633	31021	31021	S	Pin, Trigger (M5x33)	1	633	31021	31021	S	Pin, Trigger (M5x33)	1		
607	31012	31012	S	Spring	1	635	31019	31019	NY	Collar, Trigger	1	635	31019	31019	NY	Collar, Trigger	1		
611	32289	31075	S	Ball	1	636	31022	31022	S	Pin, Trigger (M4x29)	1	636	31022	31022	S	Pin, Trigger (M4x29)	1		
612	35004	31102	SS	Seat	1	641	31089	31089	BB	Tube, Discharge	1	641	31089	31089	BB	Tube, Discharge	1		
614	32008	32008	NBR	O-Ring, Seat	1	647	31090	31091	BB	Fitting, Discharge (1/4" NPTF)	1	647	31090	31091	BB	Fitting, Discharge (1/4" NPTF)	1		
618	31001	31001	BB	Retainer	1	655	—	—	NY	Handle, Left, Blue	1	655	—	—	NY	Handle, Left, Blue	1		
620	—	—	BB	Body	1	658	—	—	NY	Handle, Right, Blue	1	658	—	—	NY	Handle, Right, Blue	1		
621	31032	31032	S	Rod, Actuator	1	659	32877	32877	STZP	Screw, Self-Threading (M3.5x18)	1	659	32877	32877	STZP	Screw, Self-Threading (M3.5x18)	1		
622	35074	35074	PTFE	Back-up-Ring, Retainer	1	665	31230	31231	NY	Handle, Assy (Incls: 655, 658, 659)	1	665	31230	31231	NY	Handle, Assy (Incls: 655, 658, 659)	1		
623	35020	35020	FPM	O-Ring, Retainer	1	667	31238	31237	NY	Trigger, Assy (Incls: 629, 630, 631, 633, 635, 636)	1	667	31238	31237	NY	Trigger, Assy (Incls: 629, 630, 631, 633, 635, 636)	1		
628	31015	31015	BB	Fitting, Inlet (3/8" NPTF)	1	668	31240	31236	—	Repair Kit (Incls: 604, 611, 612, 614, 621, 622, 623)	1	668	31240	31236	—	Repair Kit (Incls: 604, 611, 612, 614, 621, 622, 623)	1		
629	31018	31018	NY	Trigger, Black	1														
630	31020	31020	S	Pin, Trigger (M4x20)	2														
631	36650	—	NY	Lever, Safety, Red	1														
	—	36636	NY	Lever, Safety, Yellow	1														

Italics are optional items.

MATERIAL CODES (Not Part of Part Number): BB=Brass FPM=Fluorocarbon (Viton®) NBR=Medium Nitrile (Buna-N) NY=Nylon
PTFE=Polytetrafluoroethylene (Teflon®) S=304SS SS=316SS STZP=Steel/Zinc Plated

TROUBLESHOOTING

Water leaking out the discharge of the gun	<ul style="list-style-type: none"> Object lodged between the seat and ball. Seat pitted or worn. O-Ring on seat worn or cut.
Water leaking out the trigger area	<ul style="list-style-type: none"> O-Ring on actuator rod worn or cut.
Water leaking out back of gun	<ul style="list-style-type: none"> O-Ring on rear plug worn or cut.

WARNING

**Severe injury can occur with high pressure spray.
Do not allow spray to contact any part of body.**

WARRANTY

90 Day Warranty
Refer to complete Cat Pump Warranty for further information.

Products described hereon are covered by one or more of the following U.S. patents 3558244, 3652188, 3809508, 3920356, 3930756 and 5035580

Jan 1999 12863

World Headquarters

CAT PUMPS

1681 - 94th Lane N.E. Minneapolis, MN 55449-4324

Phone (612) 780-5440 — FAX (612) 780-2958

e-mail: sales@catpumps.com

www.catpumps.com

International Inquiries

FAX (612) 785-4443

e-mail: intlsales@catpumps.com



The Pump with "Nine Lives"

CAT PUMPS (U.K.) LTD.

1 Fleet Business Park, Sandy Lane, Church Crookham, Fleet
Hampshire GU13 0BF, England

Phone Fleet 44 1252-622031 — Fax 44 1252-626655

N.V. CAT PUMPS INTERNATIONAL S.A.

Heveldekens 6A, 2550 Kontich, Belgium
Phone 32-3-450.71.50 — Fax 32-3-450.71.51

e-mail: cpi@catpumps.be

CAT PUMPS DEUTSCHLAND GmbH

Buchwiese 2, D-65510 Idstein, Germany
Phone 49 6126-93030 — Fax 49 6126-930333

e-mail: catpumps@t-online.de