



Inline Inlet Filter

Model

32137

FEATURES

- Durable anodized aluminum body for long life.
- Low profile permits efficient use of limited space.
- Removable lower half permits easy cleaning without removing strainer or inlet plumbing.
- Flow from inside out so sediment collects inside filter.
- Convenient top auxiliary port for gauge or by-pass return line.



FEATURES

- RTP reinforced composite body with brass threads for durability.
- Low profile permits efficient use of limited space.
- Removable lower half permits easy cleaning without removing strainer or inlet plumbing.
- Flow from inside out so sediment collects inside filter.
- Convenient top auxiliary port for gauge or by-pass return line.

SELECTION: Select an inlet filter to match the flow of the system, the type of fluid being pumped and the inlet pressure at the pump.

INSTALLATION: An inlet filter is installed on the inlet side of the pump. The arrow molded in the filter body indicates the direction of the flow. A shut-off valve is recommended between the filter and the fluid source for convenience when cleaning.

SPECIFICATIONS

	U.S. Measure	Metric Measure
Capacity	7 GPM	(27 L/M)
Mesh	38	(38)
★ Maximum Inlet Pressure	170 PSI	(12 BAR)
★ Maximum Temperature	194°F	(90°C)
Inlet Port	1/2" NPTF	(1/2" NPTF)
Discharge Port	1/2" NPTM	(1/2" NPTM)
Weight	7.8 oz.	(220 gm)
Dimensions	3.50" x 2.50" x 1.75"	(89 x 63.5 x 44.5 mm)

★ Check individual Pump Specifications. Do not exceed pump maximums.

Models

32738
32748

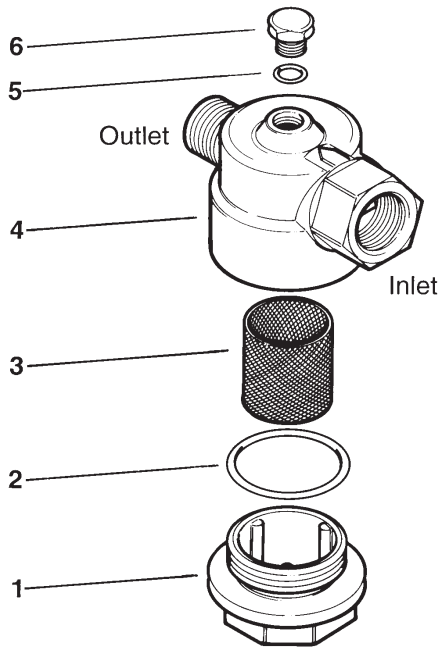
SPECIFICATIONS

	U.S. Measure	Metric Measure
Capacity	8 GPM	(30 L/M)
Mesh	50	(50)
Maximum Inlet Pressure	150 PSI	(10 BAR)
Maximum Temperature	100°F	(40°C)
Inlet Port	1/2" NPTF	(1/2" NPTF)
Discharge Port 32738	1/2" NPTM	(1/2" NPTM)
32748	1/2" NPTF	(1/2" NPTF)
By-Pass Port (Opt.)	1/4" NPTF	(1/4" NPTF)
Weight	6.0 oz.	(170 gm)
Dimensions	3.66" x 3.03" x 2.20"	(93 x 77 x 56 mm)

OPERATION: Flow through the filter is from the inside out, collecting sediment inside the filter. Open holding tanks, recycled water or additives may cause rapid clogging of the filter. Regular checking and cleaning of the filter is suggested to avoid restricting the inlet flow to the pump. Flush filter screen and thread upper body and lower body hand tight for proper seal.

“Customer confidence is our greatest asset”

EXPLODED VIEW
Model 32137

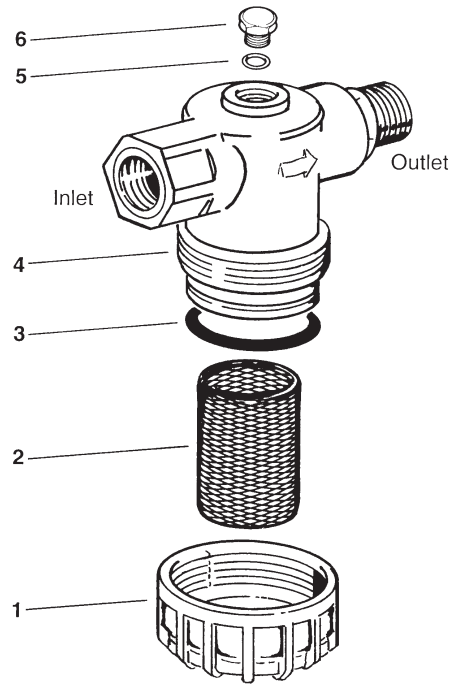


PARTS LIST

ITEM	PN	MATL	DESCRIPTION	QTY
1	32886	AL	Body, Lower	1
2	32100	NBR	O-Ring, Lower Body	1
3	32099	SS	Screen (38 Mesh)	1
4	—	AL	Body, Upper	1
5	33987	STZP	Gasket (1/4")	1
6	33984	BB	Plug, Hex (1/4" NPT)	1

MATERIAL CODES (Not Part of Part Number): AL=Aluminum BB=Brass
NBR=Medium Nitrile (Buna-N) SS=316SS STZP=Steel/Zinc Plated

EXPLODED VIEW
(Model 32738 Shown)



PARTS LIST

ITEM	PN	MATL	DESCRIPTION	QTY
1	—	RTP	Body, Lower	1
3	33010	NBR	O-Ring	1
2	33019	SS	Screen (50 Mesh)	1
4	—	RTP	Body, Upper	1
5	33986	—	Gasket (1/4")	1
6	33984	BB	Plug, Hex (1/4" NPT)	1

MATERIAL CODES (Not Part of Part Number): BB=Brass
NBR=Medium Nitrile (Buna-N) RTP=Reinforced Composite SS=316SS

TROUBLESHOOTING

System pulsation	● Clogged filter. Flush screen.
Leaking at center connection	● Cut or pinched O-ring. Replace for proper seal.
Low system pressure	● Clogged filter. Restricted inlet water. Flush screen. Increase filter flush cycle.
Pitted valves seats in pump	● Clogged filter. Prolonged insufficient inlet flow. Increase filter flush cycle. ● Increase Filter capacity to match system.

WARRANTY

90 Day Warranty
Refer to complete Cat Pump Warranty for further information.

Products described hereon are covered by one or more of the following U.S. patents 3558244, 3652188, 3809508, 3920356, 3930756 and 5035580

July 1998 7864

World Headquarters

CAT PUMPS

1681 - 94th Lane N.E. Minneapolis, MN 55449-4324

Phone (612) 780-5440 — FAX (612) 780-2958

e-mail: sales@catpumps.com

www.catpumps.com

International Inquiries

FAX (612) 785-4443

e-mail: intlsales@catpumps.com



The Pump with "Nine Lives"

CAT PUMPS (U.K.) LTD.

1 Fleet Business Park, Sandy Lane, Church Crookham, Fleet

Hampshire GU13 0BF, England

Phone Fleet 44 1252-622031 — Fax 44 1252-626655

N.V. CAT PUMPS INTERNATIONAL S.A.

Heiveldkens 6A, 2550 Kontich, Belgium

Phone 32-3-450.71.50 — Fax 32-3-450.71.51

e-mail: cpi@catpumps.be

CAT PUMPS DEUTSCHLAND GmbH

Buchwiese 2, D-65510 Idstein, Germany

Phone 49 6126-93030 — Fax 49 6126-930333

e-mail: catpumps@t-online.de