



Rotating Brush Models

White Nylon	32155
Black Nylon	32156
Horsehair	32157
Black Nylon	34456

FEATURES

- Requires only minimal flow to activate.
- Gentle low pressure scrubbing action.
- Smooth gear operation.
- Durable stainless steel cam and gear shifts.

SELECTION: The Rotating Brush is designed to provide a low pressure agitation for hard to remove dirt on more sensitive surfaces such as glass, tile and plastic. [Test a small area for sensitivity to scratches.]

INSTALLATION: The Rotating Brush threads into any 1/4" lance or may be purchased with the moulded extension which threads directly into the gun and lance.

OPERATION: Special zero degree nozzles activate the brush rotation.

SPECIFICATIONS

	U.S. Measure	Metric Measure
MODEL 32155, 32156, 32157		
Flow Range.....	3.0 to 5.5 GPM	(11 to 21 L/M)

MODEL 34456		
Flow Range.....	1.5 to 3.0 GPM	(5.5 to 11 L/M)

COMMON SPECIFICATIONS

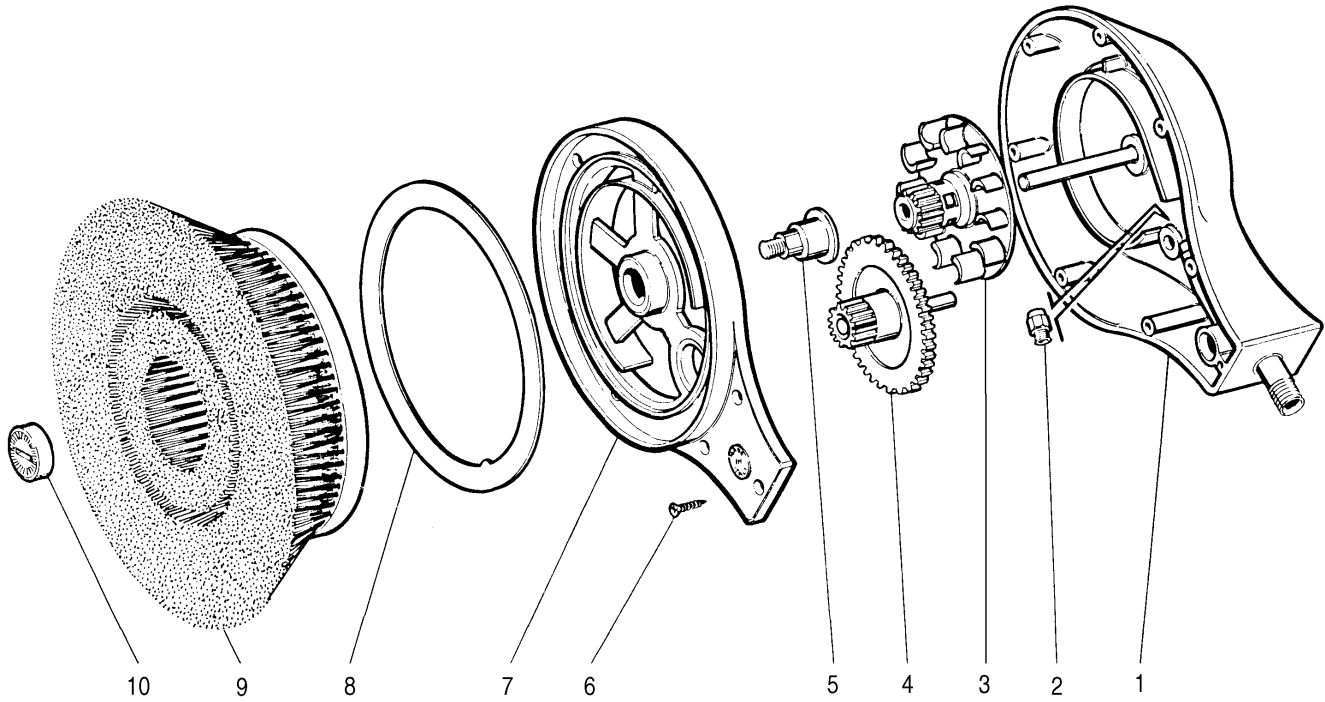
Pressure Range	125 to 285 PSI	(8.75 to 20 BAR)
Maximum Temperature	140°F	(60°C)
Inlet Fitting	1/4" NPTM	(1/4" NPTM)
Weight	27 oz.	(0.80 kg)
Dimensions.....	9.5 x 6.0 x 3.25"	(242 x 153 x 83 mm)

It is not necessary to bear down on the rotating brush as it provides sufficient agitation while spinning without added pressure from the user. Applying too much pressure to the rotating brush head will place excessive load onto the gears and cause premature failure.

Used with a chemical injector in the system, the combination of agitation and chemicals offer additional cleaning flexibility.

“Customer confidence is our greatest asset”

EXPLODED VIEW



PARTS LIST

ITEM	P/N	MATL	DESCRIPTION	MODEL USED	QTY	ITEM	P/N	MATL	DESCRIPTION	MODEL USED	QTY
1	—	NY	Housing w/Guide Pin (1/4" NPT)	All	1	7	32512	NY	Inner Housing w/Bearing Sleeve	All	1
2	32502	BB	No. 2 Nozzle (1.5-3.0 GPM, 215-285 PSI)	34456	1	8	32507	NY	Ring, Separating	All	1
	32503	BB	No. 2.5 Nozzle (3.0-4.0 GPM, 185-260 PSI)	32156, 34456	1	9	32500	NY	Brush w/Gear (Black)	32156, 34456	1
	32504	BB	No. 3 Nozzle (4.0-5.5 GPM, 140-215 PSI)	32156	1		32501	—	Brush w/Gear (Horsehair)	32157	1
3	32509	NY	Impeller w/Gear	All	1		32803	NY	Brush w/Gear (White)	32155	1
4	32508	NY	Drive Gear w/S.S. Shaft	All	1	10	32505	NY	Button, Retaining	All	1
5	32511	BB	Stem, Locking Guide	All	1	—	33220		<i>Lance Extension, 12" (300 mm)</i>	<i>All</i>	<i>1</i>
6	32506	STZP	Screw	All	8				add .521 to PN		
						—	33221		<i>Lance Extension, 20" (500 mm)</i>	<i>All</i>	<i>1</i>
									add .522 to PN		

Italics are optional items.

MATERIAL CODES (Not Part of Part Number): BB=Brass NY=Nylon STZP=Steel/Zinc Plated

WARRANTY

90 Day Warranty

Refer to complete Cat Pump Warranty for further information.

TROUBLESHOOTING

Brush will not rotate

- Do not bear down excessively on brush.
- Gears worn and should be replaced.

No chemical being dispersed

- Nozzle clogged and should be cleaned or replaced.
- Chemical injector improperly set.

Products described hereon are covered by one or more of the following U.S. patents 3558244, 3652188, 3809508, 3920356, 3930756 and 5035580

Dec 1998 12828

World Headquarters

CAT PUMPS

1681 - 94th Lane N.E. Minneapolis, MN 55449-4324

Phone (612) 780-5440 — FAX (612) 780-2958

e-mail: sales@catpumps.com

www.catpumps.com

International Inquiries

FAX (612) 785-4443

e-mail: intlsales@catpumps.com



The Pump with "Nine Lives"

CAT PUMPS (U.K.) LTD.

1 Fleet Business Park, Sandy Lane, Church Crookham, Fleet

Hampshire GU13 0BF, England

Phone Fleet 44 1252-622031 — Fax 44 1252-626655

N.V. CAT PUMPS INTERNATIONAL S.A.

Heiveldkens 6A, 2550 Kontich, Belgium

Phone 32-3-450.71.50 — Fax 32-3-450.71.51

e-mail: cpi@catpumps.be

CAT PUMPS DEUTSCHLAND GmbH

Buchwiese 2, D-65510 Idstein, Germany

Phone 49 6126-93030 — Fax 49 6126-930333

e-mail: catpumps@t-online.de