



## Industrial Dump Gun

**Models**      **32300**  
Gun with 15" Extension



**32301**  
Gun with 39" Extension

### FEATURES

- Eliminates the need for Regulator or Unloader Valves, keeping system costs down.
- Directs flow to outer Lo-Pressure Lance when gun is shut-off, eliminating pressure spikes to the pump.
- Acts as a weep gun to prevent freezing.
- Heavy-duty, durable, stainless steel Lances and internal wear parts offer long life.

**SELECTION:** Select a gun to match your system flow and pressure requirements, temperature and function being performed. The Dump Gun is designed to operate in systems without a regulating or unloading device to help prevent damage to the pump.

**INSTALLATION:** For safety, the Dump Gun should be connected to a properly sized and pressure rated hose. For optimum performance, check the Water Line Pressure Loss chart in the High Pressure Guide. **It is recommended not to exceed 100 feet of high pressure hose.**

### SPECIFICATIONS

	U.S. Measure	Metric Measure
Maximum Flow .....	10 GPM	(38 L/M)
Maximum Pressure .....	3000 PSI	(210 BAR)
Maximum Temperature .....	140°F	(60°C)
Inlet Port .....	3/8" NPTF	(3/8" NPTF)
Outlet Port .....	1/8" NPTF	(1/8" NPTF)
Weight 32300 .....	2.69 lbs.	(1.28 kg)
32301 .....	6.81 lbs.	(3.24 kg)
Dimensions(Lance Only).....	15"	(381 mm)
(Lance Only).....	39"	(1000 mm)
32300 (Gun and Lance).....	25"	(635 mm)
32301 (Gun and Lance).....	49"	(1244 mm)

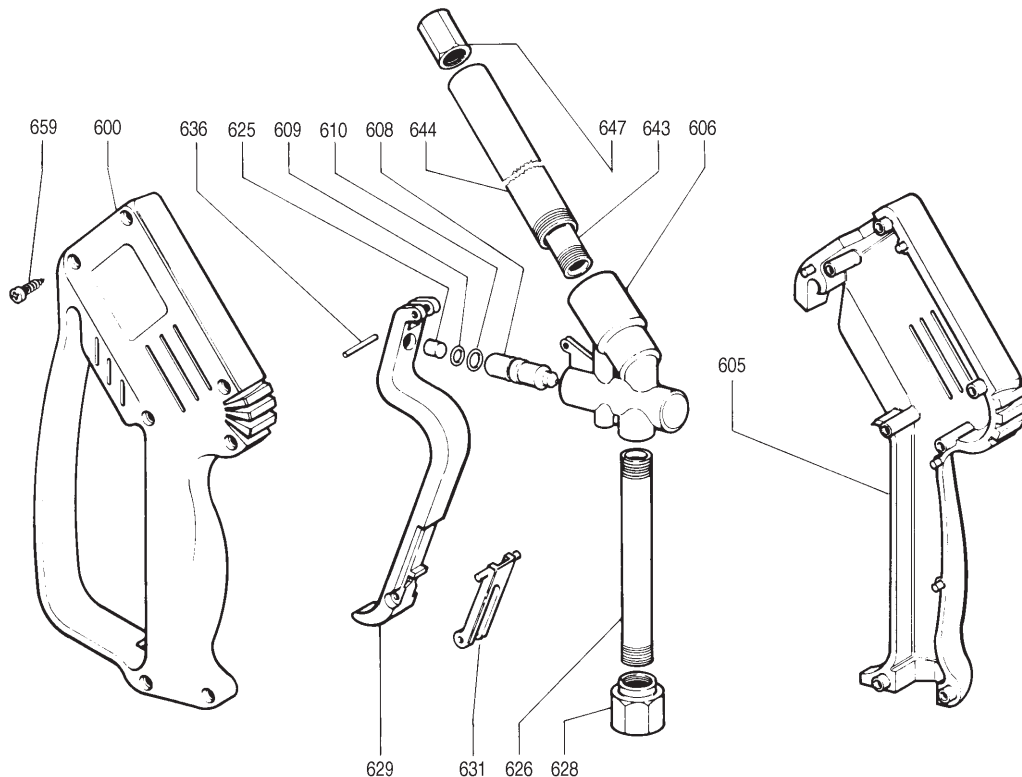
#### CAUTION:

A safety pop-off/relief valve should be used to prevent damage to the pump in the event the lance becomes plugged.

**OPERATION:** The dual lances are designed with a high pressure lance in the center to hold the high pressure nozzle and an outer low pressure lance to contain and direct the fluid during periods when the gun is closed but the system is running (by-pass). This unique by-pass system prevents pressure spikes to the pump and offers freeze protection in cold climates.

*“Customer confidence is our greatest asset”*

## EXPLODED VIEW



## PARTS LIST

ITEM	P/N	MATL	DESCRIPTION	MODEL USED	QTY
600	33678	PVDF	Handle, Gun, Left	Both	1
605	33679	PVDF	Handle, Gun, Right	Both	1
606	—	BB	Body	Both	1
608	32787	S	Piston	Both	1
609	33560	NBR	O-Ring, Piston	Both	1
610	33561	NBR	O-Ring, Piston	Both	1
625	33655	S	Striker, Trigger	Both	1
626	32792	STZP	Pipe, Inlet (5"x1/4")	Both	1
628	32793	BB	Fitting, Inlet (1/4")	Both	1
629	33680	PVDF	Trigger, Black	Both	1
631	33672	PVDF	Latch, Safety, Black	Both	1
636	32004	S	Pin, Trigger	Both	1
643	32797	S	Lance, Hi-Pressure (1/8"x15")	33200	1
	39007	S	Lance, Hi-Pressure (1/8"x39")	33201	1
644	32788	S	Lance, Lo-Pressure (15")	33220	1
	39006	S	Lance, Lo-Pressure (39")	33201	1
647	32789	S	Holder, Nozzle (1/8")	Both	1
659	32877	STZP	Screw, Self Threading (M3.5x18)	Both	7
665	32764		<i>Assembly, Handle (Incls: 600,605,659)</i>	<i>Both</i>	<i>1</i>
666	32798		<i>Assembly, Lance (15") (Incls: 643,644,647)</i>	<i>33200</i>	<i>1</i>
	33798		<i>Assembly, Lance (39") (Incls: 643,644,647)</i>	<i>33201</i>	<i>1</i>
667	32765		<i>Assembly, Trigger (Incls: 625,629,631,636)</i>	<i>Both</i>	<i>1</i>
668	32763		<i>Kit, Repair (Incls: 608,609,610)</i>	<i>Both</i>	<i>1</i>

*Italics are optional items.*

Material Codes (Not Part of Part No.): BB=Brass NBR=Medium Nitrile (Buna-N) PVDF=Fluoroplastic (High Strength) S=304SS STZP=Steel/Zinc Plated

### CAUTION:

Activate safety latch when not in use to avoid accidental injury.

### WARNING

Severe injury can occur with high pressure spray. Do not allow spray to contact any part of body.

### TROUBLESHOOTING

Loss of pressure	<ul style="list-style-type: none"> <li>Foreign material trapped between Valve and Seat.</li> <li>Valves show cut or grooves. Replace as needed.</li> </ul>
Pop-Off Valve engages	<ul style="list-style-type: none"> <li>Lance plugged. Clean and resume operation.</li> </ul>

### WARRANTY

#### 90 Day Warranty

Refer to complete Cat Pump Warranty for further information.

Products described hereon are covered by one or more of the following U.S. patents 3558244, 3652188, 3809508, 3920356, 3930756 and 5035580

Mar 1999 3911

### World Headquarters

#### CAT PUMPS

1681 - 94th Lane N.E. Minneapolis, MN 55449-4324

Phone (612) 780-5440 — FAX (612) 780-2958

e-mail: sales@catpumps.com

www.catpumps.com

### International Inquiries

FAX (612) 785-4443

e-mail: intlsales@catpumps.com



The Pump with "Nine Lives"

### CAT PUMPS (U.K.) LTD.

1 Fleet Business Park, Sandy Lane, Church Crookham, Fleet Hampshire GU13 0BF, England

Phone Fleet 44 1252-622031 — Fax 44 1252-626655

### N.V. CAT PUMPS INTERNATIONAL S.A.

Heiveldkens 6A, 2550 Kontich, Belgium

Phone 32-3-450.71.50 — Fax 32-3-450.71.51

e-mail: cpi@catpumps.be

### CAT PUMPS DEUTSCHLAND GmbH

Buchwiese 2, D-65510 Idstein, Germany

Phone 49 6126-93030 — Fax 49 6126-930333

e-mail: catpumps@t-online.de