



Custom IV Pressure Compensating Shut-Off Gun

**Brass
Model** **32700**

**Stainless Steel
Model** **33600**

FEATURES

- Durable “Zytel” body with new heat resistant “Arnite” trigger provides longer life and less breakage.
- Quality construction stainless steel tapered seat and valve assures thousands of continuous cycles.
- Unique valve design with internal balanced pressure and ergonomic trigger design permits easy on and off operation.
- Special 303 Stainless Steel model for additional compatibility.

SELECTION: A gun should be selected to match the system flow and pressure requirements, temperature and function being performed. This special, industrial gun is designed to minimize operator fatigue in high pressure applications.

INSTALLATION: If the system is a **single gun system** and the drive source will continue to run while the gun is intermittently shut-off, a pressure unloader should be installed. If **multiple guns** are in the system, either a pressure regulator or a special multiple-gun regulating unloader should be installed. In multiple gun systems, the guns should be reasonably synchronized in flow to avoid large amounts of by-pass from unused guns for prolonged periods. This may prematurely fatigue the pressure relief device or generate excessive heat in the by-pass mode. (See PUMP PROTECTORS for additional information.)

OPERATION: Flow through the gun occurs by squeezing the trigger on the gun. This activates the actuator rod,

SPECIFICATIONS

	U.S. Measure	Metric Measure
MODEL 32700		
Maximum Flow.....	8.0 GPM	(30 L/M)
Maximum Pressure	4700 PSI	(320 BAR)
Weight.....	27.2 oz.	(0.871 kg)
MODEL 33600		
Maximum Flow	7.8 GPM	(29 L/M)
Maximum Pressure	5220 PSI	(365 BAR)
Weight.....	29.6 oz.	(0.948 kg)

COMMON SPECIFICATIONS

Maximum Temperature	300°F	(150°C)
Inlet Port	3/8" NPT	(3/8" NPT)
Discharge Port.....	1/4" NPT	(1/4" NPT)
Dimensions	8.25" x 5.38" x 1.25"	(210 x 137 x 32 mm)

relieving the pressure on the spring and permitting the valve to ease off the seat. The unique tapered design of the valve and seat permits a smooth, balanced internal pressure, minimizing tension on the trigger. Releasing the trigger shuts off the flow by forcing the actuator rod to close the seat and valve.

For safety and protection of the pump and system, a pressure relief device must be used with a high pressure gun. When the gun is shut off, pressure spikes could result in severe damage to the pump or other components in the system without this device. Carefully examine the functioning of the system to determine the best type of relief valve to be used.

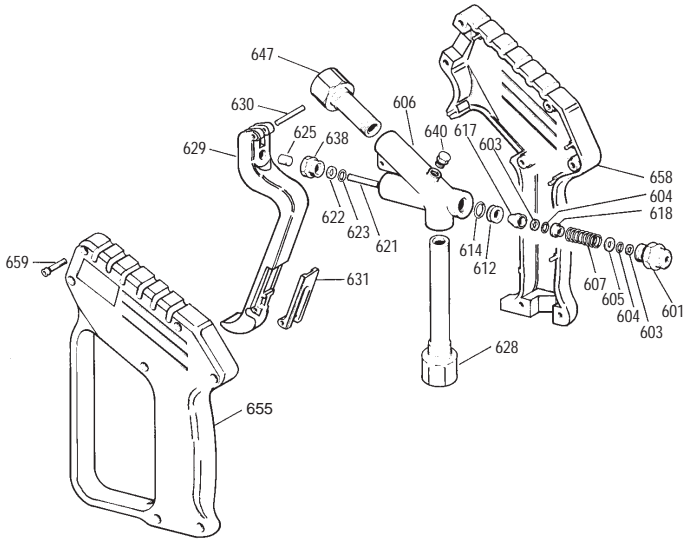
WARNING

**Severe injury can occur with high pressure spray.
Do not allow spray to contact any part of body.**

“Customer confidence is our greatest asset”

EXPLODED VIEW

Model 32700



PARTS LIST

ITEM	P/N	MATL	DESCRIPTION	QTY
601	39014	BB	Plug (M16)	1
603	35074	PTFE	Back-up-Ring, Plug	2
604	35020	FPM	O-Ring, Plug	2
605	39058	S	Washer	1
606	—	BB	Housing	1
607	—	S	Spring	1
612	33690	S	Seat	1
614	32008	FPM	O-Ring, Seat - 85	1
617	32897	SS	Valve	1
618	39059	S	Retainer, Spring	1
621	32856	S	Rod, Actuator	1
622	31074	PTFE	Back-up-Ring, Rod	1
623	31010	FPM	O-Ring, Rod	1
625	33654	SS	Striker	1
628	32005	BB	Fitting, Pipe Inlet (3/8" NPT)	1
629	33674	—	Trigger	1
630	32004	SS	Pin	1
631	33673	NY	Latch, Safety	1
638	—	BB	Plug	1
640	—	BB	Plug	1
647	32006	BB	Fitting, Pipe Discharge (3/8" NPT)	1
655	33689	ZY	Handle, Left Half, BLACK	1
658	33653	ZY	Handle, Right Half, BLACK	1
659	32877	STZP	Screw, Self Threading (M3.5x18)	7
665	32859	—	Assembly, Handle, BLACK <i>(Incls: 655,658,659)</i>	1
667	32858	—	Assembly, Trigger, MAROON <i>(Incls: 625,629,630,631)</i>	1
668	32860	—	Kit, Gun Repair <i>(Incls: 603,604,612,614,617,621,622,623)</i>	1

MATERIAL CODES (Not Part of Part Number): BB=Brass

FPM=Fluorocarbon (Viton®) NY=Nylon PTFE=Polytetrafluoroethylene (Teflon®)

S=304SS SS=316SS SSS=416SS STZP= Steel/Zinc Plated ZY=Zytel

TROUBLESHOOTING

Water leaking out the discharge of the gun

- Object lodged between the seat and ball.
- Valve or Seat pitted or worn.
- O-Ring on seat worn or cut.

Water leaking out the trigger area

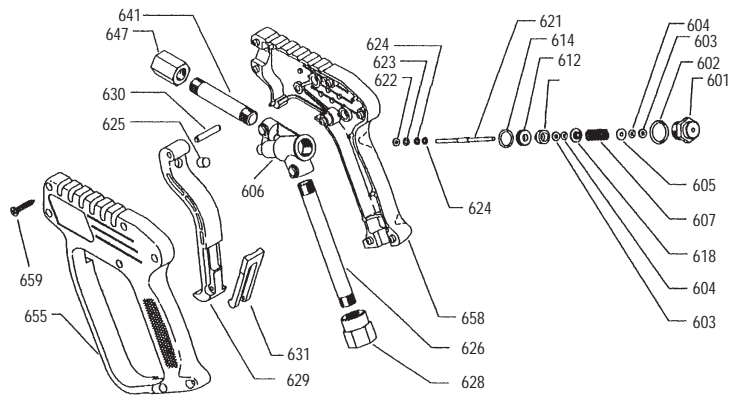
- O-Ring on actuator rod worn or cut.

Water leaking out back of gun

- O-Ring on rear plug worn or cut.

EXPLODED VIEW

Model 33600



PARTS LIST

ITEM	P/N	MATL	DESCRIPTION	QTY
601	39844	S	Plug (M16)	1
602	33378	NBR	O-Ring, Plug	1
603	35074	PTFE	Back-up-Ring, Plug	2
604	35020	FPM	O-Ring, Plug	2
605	39058	S	Washer	1
606	—	S	Housing	1
607	39045	S	Spring	1
612	33690	S	Seat	1
614	32008	FPM	O-Ring, Seat - 85	1
617	32897	SS	Valve	1
618	39059	S	Retainer, Spring	1
621	39856	SSS	Rod, Actuator	1
622	35074	PTFE	Back-up-Ring, Rod	2
623	35020	FPM	O-Ring, Rod	2
624	39004	SS	Washer, Actuator Rod	1
625	36655	S	Striker	1
626	—	SS	Pipe, Inlet (3/8" NPT)	1
628	39837	SS	Fitting, Inlet (3/8" NPT)	1
629	33306	NY	Trigger	1
630	33676	BB	Pin	1
631	36650	NY	Latch, Safety	1
641	—	S	Pipe, Discharge (1/4" NPT)	1
647	39040	SSS	Fitting, Discharge (1/4" NPT)	1
655	33691	ZY	Handle, Left Half, RED	1
658	33692	ZY	Handle, Right Half, RED	1
659	32877	S	Screw, Self Threading (M3.5x18)	7
665	39028	—	Assembly, Handle, RED , Prior to 9/97 <i>(Incls: 655,658,659)</i>	1
667	39029	—	Assembly, Trigger, BLACK , Prior to 9/97 <i>(Incls: 625,629,630,631)</i>	1
39629	—	—	Assembly, Trigger, BLACK , After to 9/97 <i>(Incls: 625,629,630,631)</i>	1
668	32860	—	Kit, Gun Repair, Prior to 9/97 <i>(Incls: 603,604,612,614,617,621,622,623)</i>	1
39860	—	—	Kit, Gun Repair, After 9/97 <i>(Incls: 603,604,612,614,617,621,622,623)</i>	1

MATERIAL CODES (Not Part of Part Number): FPM=Fluorocarbon (Viton®)

NY=Nylon PTFE=Polytetrafluoroethylene (Teflon®)

S=304SS SS=316SS SSS=416SS ZY=Zytel

WARRANTY

90 Day Warranty

Refer to complete Cat Pump Warranty for further information.

Products described hereon are covered by one or more of the following U.S. patents 3558244, 3652188, 3809508, 3920356, 3930756 and 5035580

June 1998 5839

World Headquarters

CAT PUMPS

1681 - 94th Lane N.E. Minneapolis, MN 55449-4324

Phone (612) 780-5440 — FAX (612) 780-2958

e-mail: sales@catpumps.com

www.catpumps.com

International Inquiries

FAX (612) 785-4443

e-mail: intlsales@catpumps.com



The Pump with "Nine Lives"

CAT PUMPS (U.K.) LTD.

1 Fleet Business Park, Sandy Lane, Church Crookham, Fleet

Hampshire GU13 0BF, England

Phone Fleet 44 1252-622031 — Fax 44 1252-626655

N.V. CAT PUMPS INTERNATIONAL S.A.

Heiveldkens 6A, 2550 Kontich, Belgium

Phone 32-3-450.71.50 — Fax 32-3-450.71.51

e-mail: cpi@catpumps.be

CAT PUMPS DEUTSCHLAND GmbH

Buchwiese 2, D-65510 Idstein, Germany

Phone 49 6126-93030 — Fax 49 6126-930333

e-mail: catpumps@t-online.de