



Square Insulated Dual Lance

S.S. Model **33200**
Zinc Model **33201**

SPECIFICATIONS

	U.S. Measure	Metric Measure
MODEL 33200		
Maximum Flow	10 GPM	(38 L/M)
Maximum Pressure	2900 PSI	(200 BAR)
Maximum Temperature	300°F	(150°C)
Inlet Fitting	1/4" NPT	(1/4" NPT)
Nozzle Fitting (2)	1/4" NPT	(1/4" NPT)
Weight	47.6 oz.	(1.34 kg)
Overall Length	43"	(1090 mm)
MODEL 33201		
Maximum Flow	10 GPM	(38 L/M)
Maximum Pressure	2900 PSI	(200 BAR)
Maximum Temperature	300°F	(150°C)
Inlet Fitting	1/4" NPT	(1/4" NPT)
Nozzle Fitting (2)	1/4" NPT	(1/4" NPT)
Weight	46 oz.	(1.30 kg)
Overall Length	33"	(840 mm)

FEATURES

- Ventilated square nylon insulator for operator comfort and safety.
- Front insulated adjustment handle for low to high pressure nozzle selection.
- Optional length for specialized cleaning.
- Ideal for use with adjustable chemical injector.

SELECTION: Select a lance that matches the system flow and pressure to assure safety during operation. Select standard Zinc plated or Stainless Steel for longer life.

INSTALLATION: Install these single lances to any 1/4" gun. Use teflon tape or pipe sealant to assure an air tight fit and thread on hand tight until no leaking is visible.

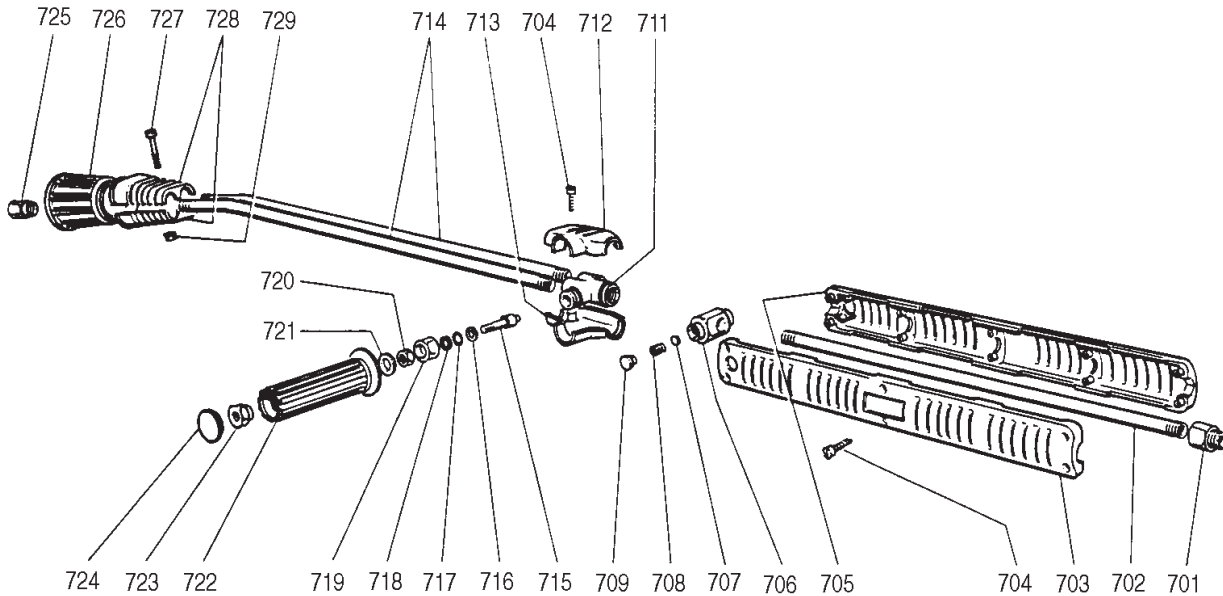
OPERATION: Flow goes through the lance as soon as the trigger on the gun is squeezed.

CAUTION

Severe injury can occur with high pressure spray. Do not allow spray to contact any part of body.

“Customer confidence is our greatest asset”

EXPLODED VIEW



PARTS LIST

ITEM	P/N	MATL	DESCRIPTION	QTY	ITEM	P/N	MATL	DESCRIPTION	QTY
701	32868	BB	Adapter	1	719	33695	BB	Nut (M18)	1
702	—	SS	Tube - 1/4"	1	720	81109	STZP	Nut (M18)	1
	—	ZP	Tube - 1/4"	1	721	33631	STZP	Washer (M18)	1
703	—	NY	Cover, Lance - Left	1	722	32874	NY	Handle	1
704	32877	STZP	Screw, Self-Threading (M3.5 x 18)	7	723	33696	BB	Plug, Handle	1
705	—	NY	Cover, Lance - Right	1	724	33697	NY	Plug, Grip	1
706	—	BB	Frame, Cover	1	725	32053	STZP	Holder, Nozzle (1/4" NPTF)	2
707	32869	BB	Spacer	1	726	—	RUB	Guard, Nozzle	1
708	32870	STZP	Screw, Cover (M10)	1	727	—	STL	Screw (M4 x 20)	1
709	32871	NY	Plug, Cover	1	728	—	NY	Protector Extension	1
711	—	BB	Housing	1	729	—	STL	Nut (M4)	1
712	33699	NY	Cover, Housing - Upper	1	730	32513	BB	Nozzle - 1/4" (3.8 GPM, 145 PSI)	1
713	33698	NY	Cover, Housing - Lower	1	—	32514	BB	Nozzle - 1/4" (7.5 GPM, 145 PSI)	1
714	—	ZP	Tube - 1/4"	2	735	32864	—	Guard, Nozzle Assy (Incls: 726-729)	1
	—	SS	Tube - 1/4"	2	736	32865	—	Assy, Insulator (Incls: 703-706)	1
715	33694	S	Valve, Needle	1	737	32867	—	Cover, Housing Assy (Incls: 704, 712, 713)	1
716	33632	STZP	Spacer	1	738	32866	—	Handle Control, Assy (Incls: 715-724)	1
717	33572	FPM	O-Ring	1	740	39012	NBR	Kit, O-Ring (Incls: 716, 717, 718)	1
718	32873	PTFE	Back-Up-Ring	1					

Italics are optional items.

Material Codes (Not Part of Part No.): BB=Brass CU=Copper FPM=Fluorocarbon (Viton®) NBR=Medium Nitrile (Buna-N) NY=Nylon
PTFE=Polytetrafluoroethylene (Teflon®) RUB=Rubber S=304SS SS=316SS STL=Steel STZP=Stee/Zinc Plated ZP=Zinc Plated

TROUBLESHOOTING

- | | |
|---|--|
| <p>Leaking at gun nozzle connection</p> <p>Leaking at nozzle</p> <p>Broken nozzle protector</p> | <ul style="list-style-type: none"> • Check fitting for proper sealant and reconnect to gun. • Check for proper sealant at lance and nozzle protector connection and reconnect. • Replace to assure nozzle life. |
|---|--|

WARRANTY

90 Day Warranty

Refer to complete Cat Pump Warranty for further information.

Products described hereon are covered by one or more of the following U.S. patents 3558244, 3652188, 3809508, 3920356, 3930756 and 5035580

Jan 1999 1918

World Headquarters

CAT PUMPS

1681 - 94th Lane N.E. Minneapolis, MN 55449-4324

Phone (612) 780-5440 — FAX (612) 780-2958

e-mail: sales@catpumps.com

www.catpumps.com

International Inquiries

FAX (612) 785-4443

e-mail: intlsales@catpumps.com



The Pump with "Nine Lives"

CAT PUMPS (U.K.) LTD.

1 Fleet Business Park, Sandy Lane, Church Crookham, Fleet

Hampshire GU13 0BF, England

Phone Fleet 44 1252-622031 — Fax 44 1252-626655

N.V. CAT PUMPS INTERNATIONAL S.A.

Heiveldkens 6A, 2550 Kontich, Belgium

Phone 32-3-450.71.50 — Fax 32-3-450.71.51

e-mail: cpi@catpumps.be

CAT PUMPS DEUTSCHLAND GmbH

Buchwiese 2, D-65510 Idstein, Germany

Phone 49 6126-93030 — Fax 49 6126-930333

e-mail: catpumps@t-online.de