



High Pressure Shut-off Guns

Standard Model 35140
Weep Model 35141

FEATURES

- Durable, heat-resistant, thermoplastic body and trigger.
- Contour design and smooth trigger action reduces operator fatigue.
- Stainless steel ball and seat assures thousands of continuous cycles.
- Choice of standard or freeze protection “weep” with color coded **blue** safety latch.

SELECTION: Select a gun to match your system flow and pressure requirements, temperature and function being performed.

INSTALLATION: Install the appropriate relief valve when using a shut-off gun to avoid pressure spikes when the gun is shut off. Severe damage can occur to your system without this device. When operating in freezing conditions, use the weep version.

SPECIFICATIONS

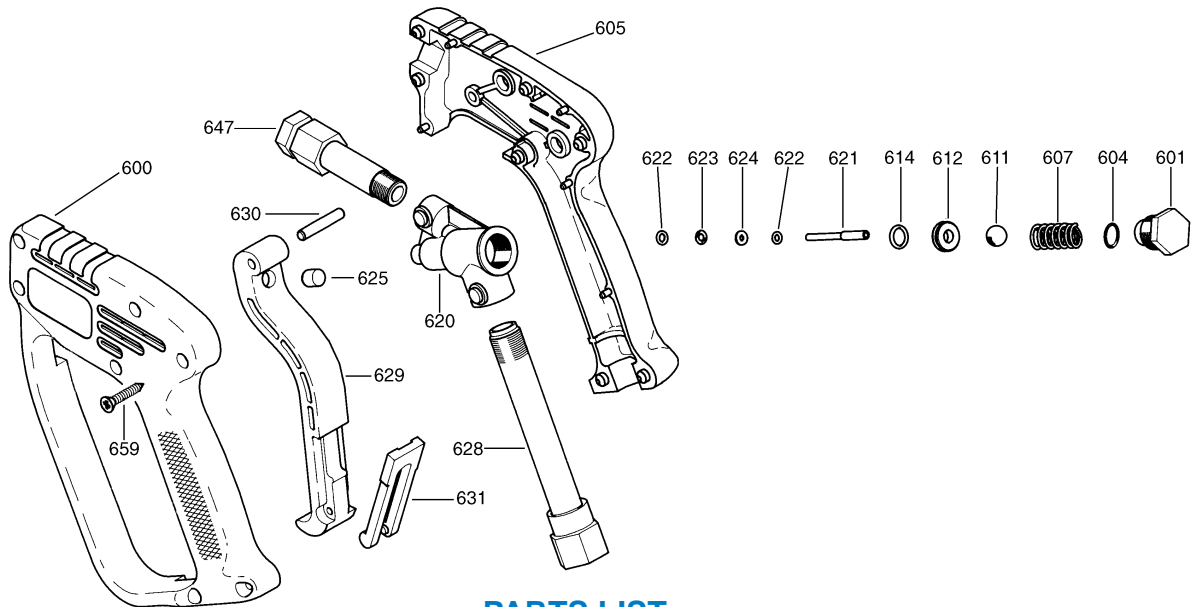
	U.S. Measure	Metric Measure
Maximum Flow	10.0 GPM	(38 L/M)
Maximum Pressure.....	4000 PSI	(275 BAR)
Maximum Temperature.....	320° F	(160°C)
Inlet Port	3/8" NPTF	(3/8" NPTF)
Discharge Port	1/4" NPTF	(1/4" NPTF)
Weight.....	23.4 oz.	(0.728 kg)
Dimensions	7.2"x7.2"x1.26"	(183x183x32 mm)

OPERATION: Flow through the gun occurs by squeezing the trigger on the gun. This activates the actuator rod, lifting the ball off the seat, allowing the pumped fluid to flow through the valve body chamber in the gun. Releasing the trigger shuts off the flow.

A special safety latch locks the gun closed to prevent unintentional operation when left unattended. This latch is blue on the weep version.

“Customer confidence is our greatest asset”

EXPLODED VIEW



PARTS LIST

ITEM	DESCRIPTION	PART NUMBER		QTY		
		35140	MATL	35141	MATL	
600	Handle, Gun, Left	—	—	—	—	1
601	Spring Retaining Nut	33671	S	33671	S	1
604	O-Ring, Nut	33378	NBR	33378	NBR	1
605	Handle, Gun, Right	—	—	—	—	1
607	Spring	33379	SS	33379	SS	1
611	Ball	32289	S	31075	SSS	1
612	Seat	31204	S	31004	S	1
614	O-Ring, Seat	32008	NBR	32008	NBR	1
620	Body	35003	BB	35003	BB	1
621	Rod, Actuator	35073	S	35073	S	1
622	Back-up-Ring, Actuator Rod	35074	PTFE	35074	PTFE	2
623	O-Ring, Actuator Rod	35020	FPM	35020	FPM	1
624	Washer, Actuator Rod	35001	BB	35001	BB	1
625	Striker	33654	S	33654	S	1
628	Fitting, Inlet (3/8" NPT)	33305	BB	33305	BB	1
629	Trigger, Black	33306	NY	33306	NY	1
630	Pin, Trigger	33676	BB	33676	BB	1
631	Latch, Safety, Black	33312	NY	—	—	1
	Latch, Safety, Blue	—	—	33313	NY	1
647	Fitting, Discharge (1/4" NPT)	35009	BB	35009	BB	1
659	Screw, Self Threading (M3.5x18)	32877	STZP	32877	STZP	7
665	Assembly, Handle (Incls: 600, 605)	35400	—	35400	—	1
667	Assembly, Trigger, Black (Incls: 625, 629, 630, 631)	35401	—	—	—	1
	Assembly, Trigger, Blue (Incls: 625, 629, 630, 631)	—	—	35402	—	1
668	Kit, Repair (Incls: 604, 611, 612, 614, 621, 622, 623)	35007	—	35028	—	1

Italics are optional items.

MATERIAL CODES (Not Part of Part Number): BB=Brass FPM=Fluorocarbon (Viton®) NBR=Medium Nitrile (Buna-N) NY=Nylon
PTFE=Polytetrafluoroethylene (Teflon®) S=304SS SS=316SS SSS=416SS STZP=Steel/Zinc Plated

TROUBLESHOOTING

- | | |
|--|---|
| Water leaking out the discharge of the gun

Water leaking out the lever area | <ul style="list-style-type: none"> • Object lodged between the seat and ball. • Seat worn. • O-ring under seat worn. • O-ring around actuator rod worn. |
|--|---|

WARNING

**Severe injury can occur with high pressure spray.
Do not allow spray to contact any part of body.**

WARRANTY

90 Day Warranty
Refer to complete Cat Pump Warranty for further information.

Products described hereon are covered by one or more of the following U.S. patents 3558244, 3652188, 3809508, 3920356, 3930756 and 5035580

June 1999 5991

World Headquarters

CAT PUMPS

1681 - 94th Lane N.E. Minneapolis, MN 55449-4324

Phone (612) 780-5440 — FAX (612) 780-2958

e-mail: sales@catpumps.com

www.catpumps.com

International Inquiries

FAX (612) 785-4329

e-mail: intlsales@catpumps.com



The Pump with "Nine Lives"

CAT PUMPS (U.K.) LTD.

1 Fleet Business Park, Sandy Lane, Church Crookham, Fleet

Hampshire GU13 0BF, England

Phone Fleet 44 1252-622031 — Fax 44 1252-626655

N.V. CAT PUMPS INTERNATIONAL S.A.

Heiveldkens 6A, 2550 Kontich, Belgium

Phone 32-3-450.71.50 — Fax 32-3-450.71.51

e-mail: cpi@catpumps.be www.catpumps.be

CAT PUMPS DEUTSCHLAND GmbH

Buchwiese 2, D-65510 Idstein, Germany

Phone 49 6126-93030 — Fax 49 6126-930333

e-mail: catpumps@t-online.de www.catpumps.de