

Quick Start Valve

Models

7100
7101

FEATURES

- Relieves pump discharge line pressure during start-up phase.
- Requires less gas engine or electric motor start-up power.
- Optional by-pass routing either to the inlet of the pump or to drain.
- Special Delryn® seat provides thousands of low pressure start-ups.

SELECTION: The Quick Start Valve is designed to minimize the system start-up pressure and should be used with a pressure lock-up style unloader.

INSTALLATION: The Quick Start Valve should be installed **after a pressure lock-up style unloader**. It may be installed **either before or after a regulator**. It is not required in systems using a flow sensitive unloader as start-up will already occur at low pressure.

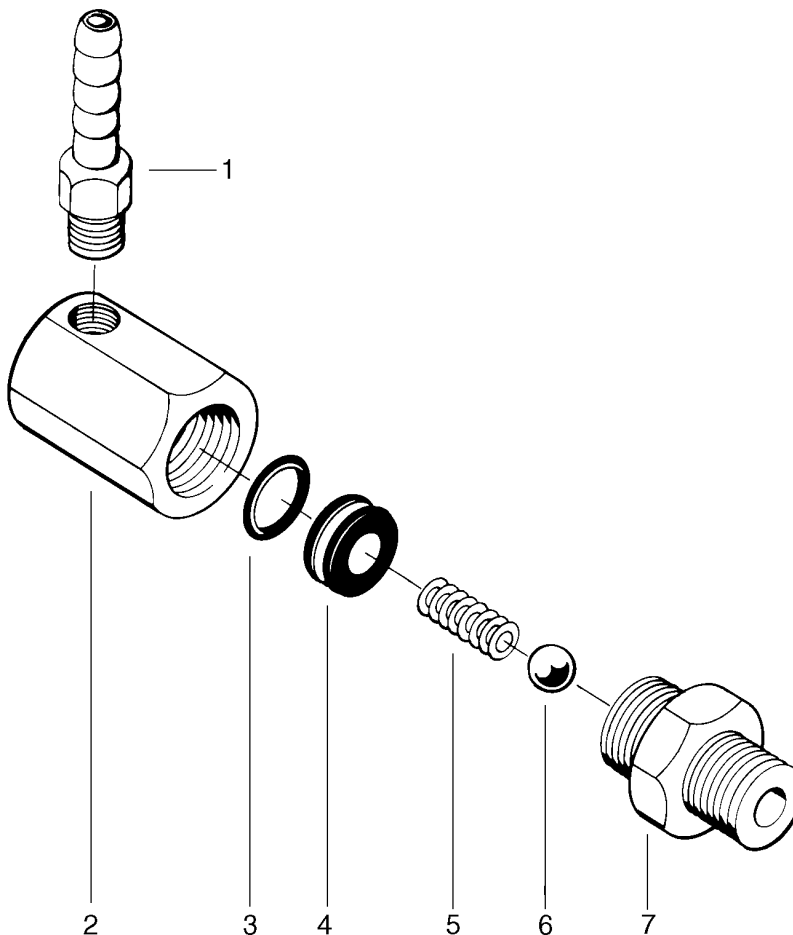
SPECIFICATIONS

	U.S. Measure	Metric Measure
Maximum Flow	10 GPM	(38 L/M)
Maximum Pressure.....	4000 PSI	(275Bar)
Opening Pressure.....	105 PSI	(7.25 Bar)
Maximum Temperature.....	160°F	(71°C)
Inlet Port 7100	1/4" NPT	(1/4" NPT)
7101	3/8" NPT	(3/8" NPT)
Barb Size.....	1/4"	1/4"
Weight	5 oz	(0.15 Kg)
Dimensions	2.1 x .87 x 2.1"	(53 x 22 x 53 mm)

OPERATION: Before start-up connect a small hose to the barb and route back to the inlet or drain to the floor. Upon start-up the Quick Start Valve registers the line pressure. The seat is forced off the valve and allows a small amount of fluid to be bled off permitting the unit to start up without a load.

“Customer confidence is our greatest asset”

EXPLODED VIEW



PARTS LIST

ITEM	P/N	MATL	DESCRIPTION	MODEL	QTY
1	928613	BB	Barb, Hose (1/4")	All	1
2	34191	BB	Body	All	1
3	32008	NBR	O-Ring	All	1
4	34196	D	Seat	All	1
5	33925	S	Spring	All	1
6	933142	SS	Ball, Check Valve	All	1
7	34192	BB	Fitting, Inlet (1/4"NPT)	7100	1
—	34194	BB	Fitting, Inlet (3/8"NPT)	7101	1
—	34211	BB	Adapter (1/4" to 3/8")	All	1

Material Codes (Not Part of Part Number):

BB=Brass D=Delryn® NBR=Medium Nitrile (Buna-N)
S=304SS SS=316SS

TROUBLESHOOTING

- | | |
|--|--|
| Continual weeping | <ul style="list-style-type: none"> • Seat worn • Foreign particles trapped between ball and seat |
| Water leaking between inlet fitting and body | <ul style="list-style-type: none"> • Reapply teflon tape to threads |

WARRANTY

90 Day Warranty

Refer to complete Cat Pump Warranty for further information.

Products described hereon are covered by one or more of the following U.S. patents 3558244, 3652188, 3809508, 3920356, 3930756 and 5035580

May 1999 4993

World Headquarters

CAT PUMPS

1681 - 94th Lane N.E. Minneapolis, MN 55449-4324

Phone (612) 780-5440 — FAX (612) 780-2958

e-mail: sales@catpumps.com

www.catpumps.com

International Inquiries

FAX (612) 785-4329

e-mail: intlsales@catpumps.com



The Pump with "Nine Lives"

CAT PUMPS (U.K.) LTD.

1 Fleet Business Park, Sandy Lane, Church Crookham, Fleet

Hampshire GU13 0BF, England

Phone Fleet 44 1252-622031 — Fax 44 1252-626655

N.V. CAT PUMPS INTERNATIONAL S.A.

Heiveldkens 6A, 2550 Kontich, Belgium

Phone 32-3-450.71.50 — Fax 32-3-450.71.51

e-mail: cpi@catpumps.be

CAT PUMPS DEUTSCHLAND GmbH

Buchwiese 2, D-65510 Idstein, Germany

Phone 49 6126-93030 — Fax 49 6126-930333

e-mail: catpumps@t-online.de www.catpumps.de