



## Inline Strainer

**Models** 7104, 7105  
7106, 7107  
7108

### FEATURES

- Durable nylon body for corrosion resistance.
- Stainless steel reinforced ports for added pipe connection support.
- Easily cleaned without removing strainer or inlet plumbing.
- Flow from inside out so sediment collects inside filter.
- Optional mesh size and clear body available.

### SPECIFICATIONS

	U.S. Measure	Metric Measure
<b>MODEL 7104 AND 7104.4</b>		
Suction Flow.....	6 GPM	(23 L/M)
Pressurized Flow.....	10 GPM	(38 L/M)
Inlet/Discharge Port .....	1/2" NPT	(1/2" NPT)
Weight .....	.6 oz.	(0.17 Kg)
Dimensions .....	3.6" x 2.95" x 5.35"	(91.5 x 75 x 136 mm)
<b>MODEL 7105 AND 7105.5</b>		
Suction Flow.....	15 GPM	(57 L/M)
Pressurized Flow.....	20 GPM	(76 L/M)
Inlet/Discharge Port .....	3/4" NPT	(3/4" NPT)
Weight .....	.7 oz.	(0.20 Kg)
Dimensions .....	3.6" x 2.95" x 5.35"	(91.5 x 75 x 136 mm)
<b>MODEL 7106 AND 7106.6</b>		
Suction Flow.....	20 GPM	(76 L/M)
Pressurized Flow.....	25 GPM	(95 L/M)
Inlet/Discharge Port .....	1" NPT	(1" NPT)
Weight .....	.16 oz.	(0.46 Kg)
Dimensions .....	5.0" x 4.1" x 6.35"	(127 x 104 x 161 mm)
<b>MODEL 7107 AND 7107.7</b>		
Suction Flow.....	35 GPM	(136 L/M)
Pressurized Flow.....	50 GPM	(189 L/M)
Inlet/Discharge Port .....	1-1/4" NPT	(1-1/4" NPT)
Weight .....	.18 oz.	(0.51 Kg)
Dimensions .....	5.0" x 4.1" x 7.0"	(127 x 104 x 178 mm)
<b>MODEL 7108 AND 7108.8</b>		
Suction Flow.....	60 GPM	(230 L/M)
Pressurized Flow.....	75 GPM	(290 L/M)
Inlet/Discharge Port .....	1-1/2" NPT	(1-1/2" NPT)
Weight .....	.19 oz.	(0.52 Kg)
Dimensions .....	5.13" x 4.1" x 8.13"	(130 x 104 x 206.5 mm)
<b>COMMON SPECIFICATIONS</b>		
Mesh.....	80	(80)
Inlet Pressure .....	100 to 150 PSI	(7 to 10 BAR)
Max. Temperature .....	125°F	(52°C)

Order . Suffix Numbers for clear body, eg: 7104.4 or 7105.5

*“Customer confidence is our greatest asset”*

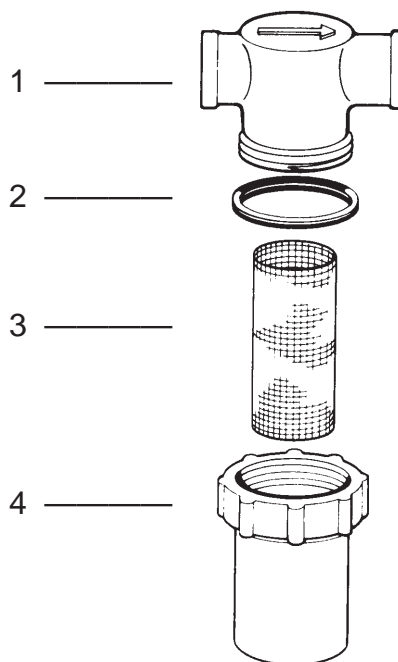
**SELECTION:** Select a strainer appropriate for the flow and pumped fluid in your system. **Typically the filter capacity should be two times the pump flow rate.** Both white and clear bowls are available. A regular inspection will avoid problems. The clear bowl will immediately show a clogged filter.

**INSTALLATION:** An inline strainer is normally installed on the inlet side of the pump. The arrow molded in the strainer cap indicates the direction of flow through the strainer. A shut-off valve is recommended between the strainer and fluid source for convenience when cleaning the strainer.

**OPERATION:** Flow through the strainer is from the inside out, collecting the sediment inside the filter. Regular checking and cleaning of the screen is suggested to avoid restricting the inlet flow to the pump.

**MAINTENANCE:** Flush screen regularly and reinstall into body. Check gasket for cuts or wear and replace if necessary to assure proper seal. Thread body and cap hand tight for proper seal.

## EXPLODED VIEW



### INLET FILTER WORKSHEET

For proper selection of your inlet filter, the following criteria should be considered:

Maximum System Flow \_\_\_\_\_ GPM (L/M)

Maximum Inlet Pressure \_\_\_\_\_ PSI (BAR)

Fluid being pumped/Concentration \_\_\_\_\_ / \_\_\_\_\_ %  
 \_\_\_\_\_ / \_\_\_\_\_ %

Maximum temperature of fluid pumped \_\_\_\_\_ °F (°C)

Density of fluid pumped \_\_\_\_\_ Spec. Gravity

Nature of Solids \_\_\_\_\_

Size of Solids \_\_\_\_\_ microns Volume of Solids \_\_\_\_\_ ppm

Viscosity of fluid pumped \_\_\_\_\_ CPS \_\_\_\_\_ SSU

Maximum pressure drop when clean \_\_\_\_\_ PSI (BAR)

Mesh size \_\_\_\_\_ (80 standard)

Frequency of cleaning (per) \_\_\_\_\_ Day \_\_\_\_\_ Week \_\_\_\_\_ Month

Material of body \_\_\_\_\_ Strainer \_\_\_\_\_

Clearance limitations beyond pump \_\_\_\_\_ inches (mm)

### PARTS LIST

ITEM	PART NO.	MATL	DESCRIPTION	QTY
1	—		Cap	1
2	33071	NBR	Gasket, 1/2", 3/4"	1
2	33073	NBR	Gasket, 1", 1-1/4", 1-1/2"	1
2	33082	FPM	Gasket, 1/2", 3/4"	1
2	33083	FPM	Gasket, 1", 1-1/4", 1-1/2"	1
3	33072	SS	Screen, 1/2", 3/4" 80 mesh	1
3	33074	SS	Screen, 1" 80 mesh	1
3	33075	SS	Screen, 1-1/4" 80 mesh	1
3	33076	SS	Screen, 1-1/2" 80 mesh	1
4	33077	NY	Bowl, clear, 1/2", 3/4"	1
4	33078	NY	Bowl, white, 1/2", 3/4"	1
4	33079	NY	Bowl, clear, 1", 1-1/4", 1-1/2"	1
4	33080	NY	Bowl, white, 1", 1-1/4", 1-1/2"	1

MATERIAL CODES (Not Part of Part Number): FPM=Flouorocarbon (Viton)  
 NBR=Medium Nitrile (Buna-N) NY=Nylon SS=316SS

Optional Mesh sizes available

### WARRANTY

#### 90 Day Warranty

Refer to complete Cat Pump Warranty for further information.

Products described hereon are covered by one or more of the following U.S. patents 3558244, 3652188, 3809508, 3920356, 3930756 and 5035580

Jan 1998 10737

### World Headquarters

#### CAT PUMPS

1681 - 94th Lane N.E. Minneapolis, MN 55449-4324

Phone (612) 780-5440 — FAX (612) 780-2958

e-mail: sales@catpumps.com

www.catpumps.com

### International Inquiries

FAX (612) 785-4443

e-mail: intlsales@catpumps.com



The Pump with "Nine Lives"

### CAT PUMPS (U.K.) LTD.

1 Fleet Business Park, Sandy Lane, Church Crookham, Fleet

Hampshire GU13 0BF, England

Phone Fleet 44 1252-622031 — Fax 44 1252-626655

### N.V. CAT PUMPS INTERNATIONAL S.A.

Heiveldkens 6A, 2550 Kontich, Belgium

Phone 32-3-450.71.50 — Fax 32-3-450.71.51

e-mail: cpi@catpumps.be

### CAT PUMPS DEUTSCHLAND GmbH

Buchwiese 2, D-65510 Idstein, Germany

Phone 49 6126-93030 — Fax 49 6126-930333

e-mail: catpumps@t-online.de