



## Evacuator Wet-n-Dry Transfer Vac

Model **7260**

### FEATURES

- Nominal system flow transfers up to 95 GPM for fast cleanup.
- Picks up wide range of viscous or granular residue for maximum flexibility.
- Conveniently attaches to any 1/4" high pressure gun.

**SELECTION:** The Evacuator is designed to draw up both fluids and granular residue and transfer into storage containers for disposal. It is intended for use with a high pressure trigger gun system up to 7 GPM at 3250 PSI.

**INSTALLATION:** Install the Evacuator in any high pressure system by connecting the high pressure hose with quick disconnect socket to the 1/4" nipple. Place the hose into the waste collection container.

### SPECIFICATIONS

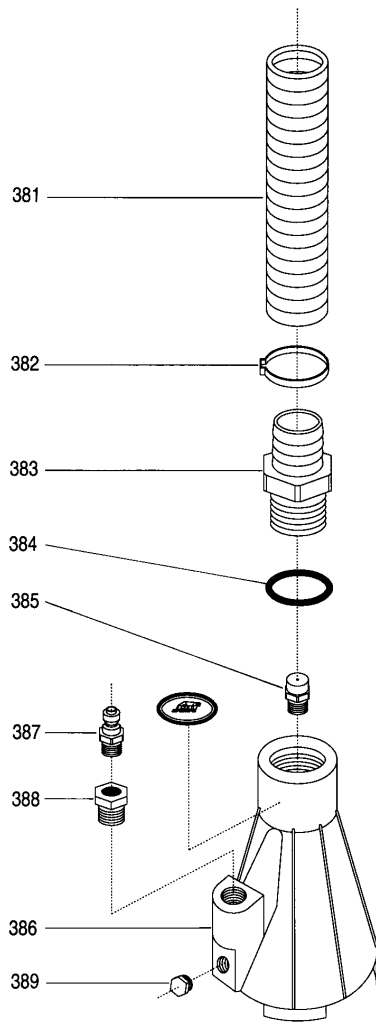
	U.S. Measure	Metric Measure
Flow Range .....	2-7 GPM	(7.6-27 L/M)
Pressure Range .....	275-3250 PSI	(19-230 BAR)
Fluid Transfer Range .....	35-95 GPM	(133-360 L/M)
Inlet Fitting .....	1/4" Q.D.	(1/4" Q.D.)
Safety Factor .....	4/1	(4/1)
Max. Temperature .....	160°F	(71°C)
Standard Nozzle Size .....	4.0	(4.0)
Angle .....	0°	(0°)
Weight .....	12 lbs.	(5.4 kg)
Dimensions Head .....	4.5" x 4.0"	(114 x 101.6 mm)
Hose .....	1.5" x 15'	(38mm x 45M)

**OPERATION:** Squeeze the trigger on the high pressure gun to begin the suction. Insert the housing into the fluid tank or debris pit needing cleanup. The housing is notched so it will not form a suction at the bottom of a tank or on the ground. Direct the transfer hose to the collection container.

**MAINTENANCE:** Periodically clean or replace nozzle for optimum efficiency. Check for kinks or bends in the transfer hose to assure proper flow of fluid or debris.

*“Customer confidence is our greatest asset”*

## EXPLODED VIEW



## PARTS LIST

ITEM	PART NO	MATL	DESCRIPTION	QTY
381	34349	—	Hose (14.3'x1-1/2")	1
382	34348	STZP	Clamp, Hose (1-3/4")	1
383	34346	NY	Barb (1-1/2"x1-1/2")	1
384	34345	NBR	O-Ring, Barb	1
385	714000.4	SSSS	★Nozzle, 1/4", 4.0, 0°	1
	715000.4	SSSS	Nozzle, 1/4", 5.0, 0°	1
	716000.4	SSSS	Nozzle, 1/4", 6.0, 0°	1
	717000.4	SSSS	Nozzle, 1/4", 7.0, 0°	1
	718000.4	SSSS	Nozzle, 1/4", 8.0, 0°	1
386	34339	AL	Housing	1
387	34367	STL	Nipple, Q.D., Straight thru (1/4")	1
388	990626	STL	Bushing, Reducer (3/8"x1/4")	1
389	34359	ZP	Plug, 1/8" NPT	1

★ Select alternate 1/4" nozzles from Fluid Transfer Chart per desired system flow and pressure and transfer amount.

*Italics are optional items.*

MATERIAL CODES (Not Part of Part Number):

AL=Aluminum NBR=Medium Nitrile (Buna-N) NY=Nylon  
SSSS=440SS STL=Steel STZP=Steel/Zinc Plated ZP=Zinc Plated

## WARRANTY

### 90 Day Warranty

Refer to complete Cat Pump Warranty for further information.

## FLUID TRANSFER CHART

NOZZLE			FLOW THROUGH NOZZLE [System Pressure per Nozzle Size and Flow]							
P.N.	Size	Angle	2.0 GPM	3.0 GPM	4.0 GPM	5.0 GPM	6.0 GPM	7.0 GPM		
714000.4	4.0	0°	35 [1000]	68 [2500]	N/A —	N/A —	N/A —	N/A —	N/A —	N/A —
715000.4	5.0	0°	32 [650]	57 [1350]	71 [2500]	N/A —	N/A —	N/A —	N/A —	N/A —
716000.4	6.0	0°	29 [500]	44 [1000]	69 [1760]	88 [2760]	N/A —	N/A —	N/A —	N/A —
717000.4	7.0	0°	24 [375]	41 [750]	66 [1320]	79 [2000]	93 [2760]	N/A —	N/A —	N/A —
718000.4	8.0	0°	20 [275]	40 [540]	53 [1000]	66 [1500]	86 [2250]	94 [3000]	N/A —	N/A —

Products described hereon are covered by one or more of the following U.S. patents 3558244, 3652188, 3809508, 3920356, 3930756 and 5035580

May 1999 4949

### World Headquarters

#### CAT PUMPS

1681 - 94th Lane N.E. Minneapolis, MN 55449-4324

Phone (612) 780-5440 — FAX (612) 780-2958

e-mail: sales@catpumps.com

www.catpumps.com

### International Inquiries

FAX (612) 785-4443

e-mail: intlsales@catpumps.com



The Pump with "Nine Lives"

### CAT PUMPS (U.K.) LTD.

1 Fleet Business Park, Sandy Lane, Church Crookham, Fleet

Hampshire GU13 0BF, England

Phone Fleet 44 1252-622031 — Fax 44 1252-626655

### N.V. CAT PUMPS INTERNATIONAL S.A.

Heiveldkens 6A, 2550 Kontich, Belgium

Phone 32-3-450.71.50 — Fax 32-3-450.71.51

e-mail: cpi@catpumps.be

### CAT PUMPS DEUTSCHLAND GmbH

Buchwiese 2, D-65510 Idstein, Germany

Phone 49 6126-93030 — Fax 49 6126-930333

e-mail: catpumps@t-online.de www.catpumps.de