



## Turbo Nozzle

### Models

7265  
7270

### FEATURES

- Converts 0° blasting power to a 25° spinning action to agitate dirt loose.
- Quickly mounts to any 1/4" lance.
- Unique spinning action quickly covers a wide path with intense cleaning results.
- Durable ceramic nozzle offers greater resistance to wear.

**SELECTION:** This nozzle is designed to provide agitation while spraying to assist in removing stubborn dirt. Select a nozzle to match the flow and pressure requirements of the system.

**INSTALLATION:** Remove any standard spray nozzle from the high pressure lance. Place teflon tape or sealant on threaded lance ends and tighten the turbo nozzle onto the lance. Fits standard 1/4" lance rated to nozzle specification.

**OPERATION:** The Turbo Nozzle is a specially designed nozzle which converts 0° blasting penetration to a 25°

### SPECIFICATIONS

|                        | U.S. Measure | Metric Measure |
|------------------------|--------------|----------------|
| <b>MODEL 7265</b>      |              |                |
| Flow Range.....        | 1.0-5.7 GPM  | (3.8-22 L/M)   |
| Pressure Range .....   | 100-3000 PSI | (7-210 BAR)    |
| Max. Temperature ..... | 194°F        | (90°C)         |
| Inlet Fitting .....    | 1/4" BSPF    | (1/4" BSPF)    |
| Weight .....           | 11.8 oz.     | (.334 kg)      |
| Dimensions .....       | 3.7 x 1.5"   | (94 x 38mm)    |
| <b>MODEL 7270</b>      |              |                |
| Flow Range.....        | 1.0-10.0 GPM | (3.8-38 L/M)   |
| Pressure Range .....   | 100-5000 PSI | (7-345 BAR)    |
| Max. Temperature ..... | 194°F        | (90°C)         |
| Inlet Fitting .....    | 1/4" BSPF    | (1/4" BSPF)    |
| Weight .....           | 25.5 oz.     | (.723 kg)      |
| Dimensions .....       | 4.5 x 2.0"   | (114 x 51mm)   |

spinning action to offer greater cleaning intensity. As water enters the inlet fitting, the nozzle assembly begins to spin, resulting in a spiral blasting pattern as you move the nozzle across the surface being cleaned.

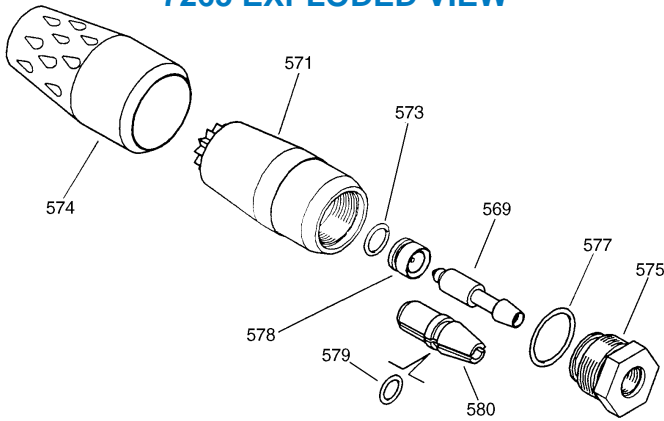
**MAINTENANCE:** A loss in system pressure is often the result of a worn or improperly sized nozzle. Periodically replace nozzle.

#### WARNING

Always shut system off when changing guns, lances and nozzles to avoid accidental damage.

*“Customer confidence is our greatest asset”*

## 7265 EXPLODED VIEW



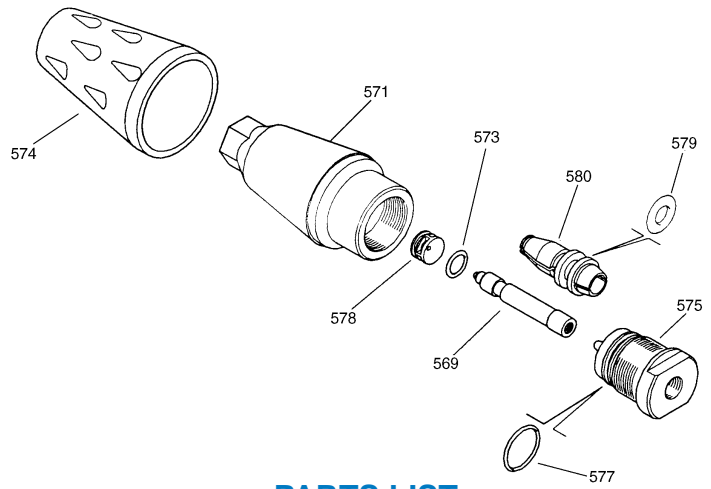
### PARTS LIST

| ITEM | P/N   | MATL  | DESCRIPTION   | QTY |
|------|-------|-------|---|-----|
| 569  | 31113 | BB/CC | Nozzle Assy (3.5) Brown<br>(Incls: 569, 573, 577, 578, 579, 580)        | 1   |
|      | 31114 | BB/CC | Nozzle Assy (4.0) Dark Yellow<br>(Incls: 569, 573, 577, 578, 579, 580)  | 1   |
|      | 31115 | BB/CC | Nozzle Assy (4.5) Dark Blue<br>(Incls: 569, 573, 577, 578, 579, 580)    | 1   |
|      | 31116 | BB/CC | Nozzle Assy (5.0) Light Purple<br>(Incls: 569, 573, 577, 578, 579, 580) | 1   |
|      | 31118 | BB/CC | Nozzle Assy (5.5) Red<br>(Incls: 569, 573, 577, 578, 579, 580)          | 1   |
|      | 31119 | BB/CC | Nozzle Assy (6.5) Light Blue<br>(Incls: 569, 573, 577, 578, 579, 580)   | 1   |
| 571  | —     | BB    | Body  | 1   |
| 573  | —     | NBR   | O-Ring, Seat  | 1   |
| 574  | 31241 | —     | Protector, Nozzle   | 1   |
| 575  | 31332 | BB    | Fitting, Inlet (3.5) 1/4"   | 1   |
|      | 31333 | BB    | Fitting, Inlet (4.0) 1/4"   | 1   |
|      | 31334 | BB    | Fitting, Inlet (4.5) 1/4"   | 1   |
|      | 31335 | BB    | Fitting, Inlet (5.0) 1/4"   | 1   |
|      | 31336 | BB    | Fitting, Inlet (5.5) 1/4"   | 1   |
|      | 31337 | BB    | Fitting, Inlet (6.5) 1/4"   | 1   |
| 577  | —     | NBR   | O-Ring, Fitting Inlet   | 1   |
| 578  | —     | CC    | Seat  | 1   |
| 579  | —     | NBR   | O-Ring, Nozzle Holder   | 1   |
| 580  | —     | NY    | Holder, Nozzle  | 1   |

MATERIAL CODES (Not Part of Part Number):

BB=Brass CC=Ceramic NBR=Medium Nitrile (Buna-N) NY=Nylon

## 7270 EXPLODED VIEW



### PARTS LIST

| ITEM | P/N   | MATL  | DESCRIPTION   | QTY |
|------|-------|-------|---|-----|
| 569  | 31103 | BB/CC | Nozzle Assy (3.5) Brown<br>(Incls: 569, 573, 577, 578, 579, 580)      | 1   |
|      | 31105 | BB/CC | Nozzle Assy (4.5) Dark Blue<br>(Incls: 569, 573, 577, 578, 579, 580)  | 1   |
|      | 31107 | BB/CC | Nozzle Assy (5.5) Red<br>(Incls: 569, 573, 577, 578, 579, 580)        | 1   |
|      | 31108 | BB/CC | Nozzle Assy (6.5) Light Blue<br>(Incls: 569, 573, 577, 578, 579, 580) | 1   |
|      | 31109 | BB/CC | Nozzle Assy (9.0) Gold<br>(Incls: 569, 573, 577, 578, 579, 580)       | 1   |
| 571  | —     | BB    | Body  | 1   |
| 573  | —     | NBR   | O-Ring, Seat  | 1   |
| 574  | 31242 | —     | Protector, Nozzle   | 1   |
| 575  | 31330 | BB    | Fitting, Inlet (3.5) 1/4"   | 1   |
|      | 31329 | BB    | Fitting, Inlet (4.5) 1/4"   | 1   |
|      | 31328 | BB    | Fitting, Inlet (5.5) 1/4"   | 1   |
|      | 31327 | BB    | Fitting, Inlet (6.5) 1/4"   | 1   |
|      | 31326 | BB    | Fitting, Inlet (9.0) 1/4"   | 1   |
| 577  | —     | NBR   | O-Ring, Fitting Inlet   | 1   |
| 578  | —     | CC    | Seat  | 1   |
| 579  | —     | NBR   | O-Ring, Nozzle Holder   | 1   |
| 580  | —     | NY    | Holder, Nozzle  | 1   |

MATERIAL CODES (Not Part of Part Number):

BB=Brass CC=Ceramic NBR=Medium Nitrile (Buna-N) NY=Nylon

### 7265 NOZZLE SELECTION CHART

| Model   | Nozzle Size | Nozzle Volume (GPM) at Various Pressures (PSI) |            |            |            |            |
|---------|-------------|--|------------|------------|------------|------------|
|         |             | 1200 (85)                                      | 1500 (105) | 2000 (140) | 2500 (175) | 3000 (210) |
| 7265.35 | 3.5         | 1.9  | 2.2        | 2.5        | 2.7        | 3.0        |
| 7265.40 | 4.0         | 2.2  | 2.5        | 2.8        | 3.1        | 3.5        |
| 7265.45 | 4.5         | 2.4  | 2.8        | 3.0        | 3.6        | 3.9        |
| 7265.50 | 5.0         | 2.8  | 3.1        | 3.5        | 4.0        | 4.4        |
| 7265.55 | 5.5         | 3.0  | 3.4        | 3.8        | 4.4        | 4.8        |
| 7265.65 | 6.5         | 3.6  | 4.0        | 4.6        | 5.2        | 5.7        |

### 7270 NOZZLE SELECTION CHART

| Model   | Nozzle Size | Nozzle Volume (GPM) at Various Pressures (PSI) |            |            |            |            |
|---------|-------------|--|------------|------------|------------|------------|
|         |             | 2000 (140)                                     | 2500 (175) | 3000 (210) | 4000 (275) | 5000 (345) |
| 7270.35 | 3.5         | 2.5  | 2.7        | 3.0        | 3.5        | 3.9        |
| 7270.45 | 4.5         | 3.0  | 3.6        | 3.9        | 4.5        | 5.0        |
| 7270.55 | 5.5         | 3.8  | 4.4        | 4.8        | 5.5        | 6.2        |
| 7270.65 | 6.5         | 4.6  | 5.2        | 5.7        | 6.5        | 7.3        |
| 7270.90 | 9.0         | 6.4  | 7.1        | 7.8        | 9.0        | 10.0       |

### WARNING

Severe injury can occur with high pressure spray.  
Do not allow spray to contact any part of body.

### WARRANTY

**90 Day Warranty**  
Refer to complete Cat Pump Warranty for further information.

Products described hereon are covered by one or more of the following U.S. patents 3558244, 3652188, 3809508, 3920356, 3930756 and 5035580

Aug 1999 8904

### World Headquarters

#### CAT PUMPS

1681 - 94th Lane N.E. Minneapolis, MN 55449-4324

Phone (612) 780-5440 — FAX (612) 780-2958

e-mail: sales@catpumps.com

www.catpumps.com

### International Inquiries

FAX (612) 785-4329

e-mail: intlsales@catpumps.com



The Pump with "Nine Lives"

### CAT PUMPS (U.K.) LTD.

1 Fleet Business Park, Sandy Lane, Church Crookham, Fleet

Hampshire GU13 0BF, England

Phone Fleet 44 1252-622031 — Fax 44 1252-626655

### N.V. CAT PUMPS INTERNATIONAL S.A.

Heiveldkens 6A, 2550 Kontich, Belgium

Phone 32-3-450.71.50 — Fax 32-3-450.71.51

e-mail: cpi@catpumps.be www.catpumps.be

### CAT PUMPS DEUTSCHLAND GmbH

Buchwiese 2, D-65510 Idstein, Germany

Phone 49 6126-93030 — Fax 49 6126-930333

e-mail: catpumps@t-online.de www.catpumps.de