

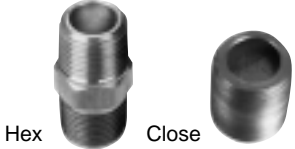




## FEATURES

- Optional steel, 304 S.S. or 316 S.S. for fluid compatibility.
- Optional 2000, 6000 or 10,000 PSI rating to meet system pressure requirements.
- Multiple sizes and styles to match pump ports and accessories keeping mounting compact.

## High Pressure Fittings

**Models** 990620  
thru 991667

Nipple				Elbow Tee Cross					Reducing Bushing			
												
Part No.	Material	Nipple Fitting Size	Weight (Lbs.)	Part No.	Type	Material	Fitting Size	Weight (Lbs.)	Part No.	Material	Fitting Size	Weight (Lbs.)
<b>150 PSI</b>				<b>150 PSI</b>					<b>150 PSI</b>			
991650	SS	1-1/2" NPTM x Close	.26	991613	Cross	SS	1/2" NPTF	.75	990647	S	1-1/2" x 1" NPT	.61
<b>2000 PSI</b>				<b>200 PSI</b>					<b>6000 PSI</b>			
990620	STL	1/4" NPTM x Close	.03	991649	Tee	SS	1-1/2" NPTF	1.83	<b>1000 PSI</b>			
990621	STL	3/8" NPTM x Close	.04	<b>2000 PSI</b>					990615			
990622	STL	1/2" NPTM x Close	.07	990660	Cross	BB	3/4" NPTF	.75	990626	STL	3/8" M x 1/4" F NPT	.04
990623	STL	3/4" NPTM x Close	.13	<b>1000 PSI</b>					990627	STL	1/2" M x 1/4" F NPT	.09
990624	STL	1" NPTM x Close	.18	<b>2000 PSI</b>					990628	STL	1/2" M x 3/8" F NPT	.06
990645	STL	1-1/4" NPTM x Close	.50	990661	Cross	BB	1/2" NPTF	.51	990629	STL	3/4" M x 3/8" F NPT	.15
991620	SS	1/4" NPTM x Close	.03	991654	Elbow	SS	1/4" NPTF	.41	990630	STL	3/4" M x 1/2" F NPT	.10
991621	SS	3/8" NPTM x Close	.04	<b>2000 PSI</b>					990631	STL	1" M x 1/2" F NPT	.28
991622	SS	1/2" NPTM x Close	.07	991614	Tee	SS	1/4" NPTF	.51	990632	STL	1" M x 3/4" F NPT	.21
991623	SS	3/4" NPTM x Close	.14	990635	Tee	STL	3/8" NPTF	.34	990633	STL	1-1/4" M x 3/4" F NPT	.48
991624	SS	1" NPTM x Close	.19	990636	Tee	STL	1/2" NPTF	.62	990634	STL	1-1/4" M x 1" F NPT	.36
<b>6000 PSI</b>				990637	Tee	STL	3/4" NPTF	.98	991612	SS	3/8" M x 1/4" M NPT	.04
990640	STL	1/4" NPTM x Hex	.09	990638	Tee	STL	1" NPTF	1.79	991616	SS	1/2" M x 1/4" F NPT	.17
990641	STL	3/8" NPTM x Hex	.15	990639	Tee	STL	1-1/4" NPTF	2.70	991626	SS	3/8" M x 1/4" F NPT	.04
990642	STL	1/2" NPTM x Hex	.15	991615	Cross	SS	3/4" NPTF	.98	991627	SS	1/2" M x 1/4" F NPT	.09
990643	STL	3/4" NPTM x Hex	.25	991635	Tee	SS	3/8" NPTF	.40	991628	SS	1/2" M x 3/8" F NPT	.06
990644	STL	1" NPTM x Hex	.38	991636	Tee	SS	1/2" NPTF	.69	991629	SS	3/4" M x 3/8" F NPT	.07
991640	SS	1/4" NPTM x Hex	.09	991637	Tee	SS	3/4" NPTF	1.01	991630	SS	3/4" M x 1/2" F NPT	.10
991646	SS	1/2" NPTM x Hex	.17	991638	Tee	SS	1" NPTF	3.01	991631	SS	1" M x 1/2" F NPT	.27
991647	SS	3/8" NPTM x Hex	.09	991639	Tee	SS	1-1/4" NPTF	4.65	991632	SS	1" M x 3/4" F NPT	.18
991641	SS	3/8" NPTM x Close	.07	<b>5000 PSI</b>					991633	SS	1-1/4" M x 3/4" F NPT	.48
991642	SS	1/2" NPTM x Close	.10	990614	Elbow	STL	1/4" NPT	.08	991634	SS	1-1/4" M x 1" F NPT	.33
991643	SS	3/4" NPTM x Close	.18	<b>6000 PSI</b>					<b>10,000 PSI</b>			
991644	SS	1" NPTM x Close	.29	990616	Elbow	SS	1/4" NPTF	.15	991660	S	3/4" x 1/2" NPT	.13
991645	SS	1-1/4" NPTM x Close	.56	990655	Tee	STL	3/8" NPTF	.26	991662	S	1" x 3/4" NPT	.30
<b>10,000 PSI</b>				990656	Tee	STL	1/2" NPTF	2.24	991667	S	1/2" x 1/4" NPT	.10
991619	STL	1/2" NPTM x Close	.20	990657	Tee	STL	3/4" NPTF	3.69				
991661	S	1/2" NPTM x Close	.20	990658	Tee	STL	1" NPTF	5.23				
991663	S	3/4" NPTM x Close	.35	991655	Tee	SS	3/8" NPTF	.45				
				991656	Tee	SS	1/2" NPTF	2.38				
				991657	Tee	SS	3/4" NPTF	3.76				
				991658	Tee	SS	1" NPTF	5.39				
				991659	Tee	SS	1-1/4" NPTF	7.75				
				<b>10,000 PSI</b>								
				991669	Tee	S	3/4" NPTF	5.25				

*"Customer confidence is our greatest asset"*

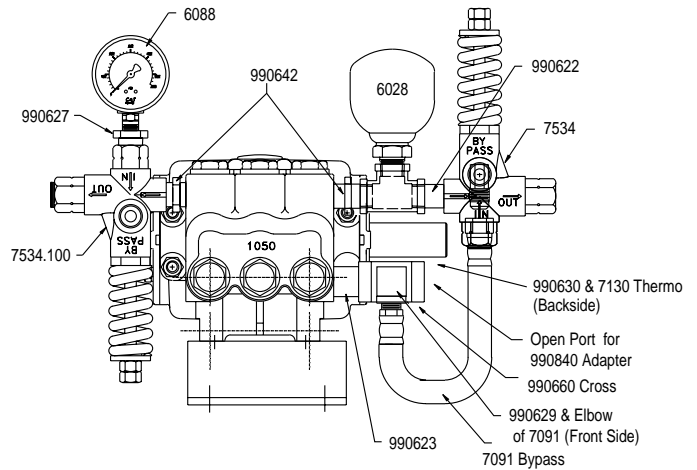
**SELECTION:** Select the fittings to match the system pressure rating and the type of material compatible with the pump head and pumped fluid. Do not restrict the inlet or discharge of the pump.

**INSTALLATION:** Install inlet and discharge accessories directly to the pump ports when possible or use a tee to accommodate multiple accessories. See typical installation views.

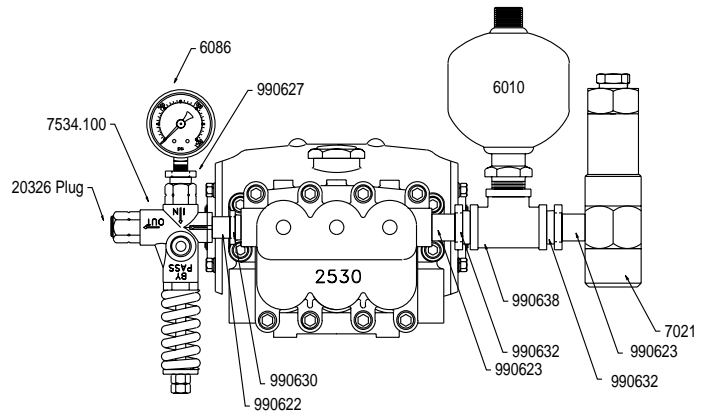
**MAINTENANCE:** With each seal and valve change, check all fitting connections for any leaks. Low pressure, fluctuating pressure or vibration are often the result of poor connections. Use Teflon tape or pipe thread sealant, but stop before the last thread.

## TYPICAL INSTALLATIONS

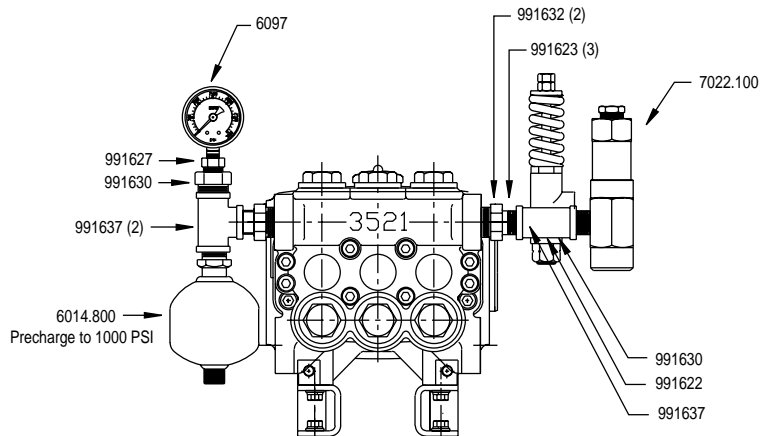
### 10 GPM at 1500 PSI



### 20 GPM at 1000 PSI



### 23 GPM at 2000 PSI



Products described hereon are covered by one or more of the following U.S. patents 3558244, 3652188, 3809508, 3920356, 3930756 and 5035580

July 1998 7849

### World Headquarters

CAT PUMPS

1681 - 94th Lane N.E. Minneapolis, MN 55449-4324

Phone (612) 780-5440 — FAX (612) 780-2958

e-mail: sales@catpumps.com

www.catpumps.com

### International Inquiries

FAX (612) 785-4329

e-mail: intlsales@catpumps.com



The Pump with "Nine Lives"

### CAT PUMPS (U.K.) LTD.

1 Fleet Business Park, Sandy Lane, Church Crookham, Fleet

Hampshire GU13 0BF, England

Phone Fleet 44 1252-622031 — Fax 44 1252-626655

### N.V. CAT PUMPS INTERNATIONAL S.A.

Heveldekens 6A, 2550 Kontich, Belgium

Phone 32-3-450.71.50 — Fax 32-3-450.71.51

e-mail: cpi@catpumps.be www.catpumps.be

### CAT PUMPS DEUTSCHLAND GmbH

Buchwiese 2, D-65510 Idstein, Germany

Phone 49 6126-93030 — Fax 49 6126-930333

e-mail: catpumps@t-online.de www.catpumps.de