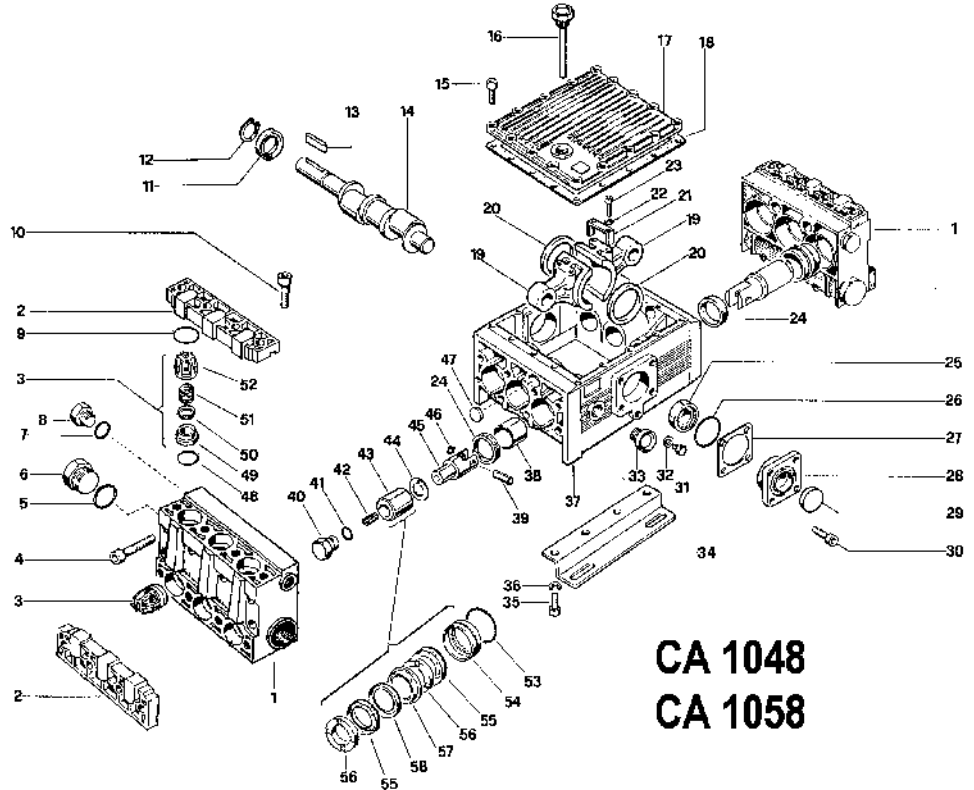




CA SERIES

CA-1048 (106474A)

CA-1058 (106475A)



CA 1048
CA 1058

| POS | VENDOR # | SM # | DESCRIPTION | # | PCS |
|---------------|-----------|--------|--------------------------|----|-----|
| 1 | 730214092 | 107149 | Pump Head | 2 | |
| 2 | 730017092 | 107243 | Valve Cover | 4 | |
| 3-Kit 113 | 739801973 | 107244 | Valve Assembly | 12 | |
| 4 | 864090002 | 107020 | Screw | 12 | |
| 5 | 803209002 | 107009 | O-Ring | 2 | |
| 6 | 852740002 | 107188 | Cap 1 1/4" | 2 | |
| 7 | 803218002 | 107148 | O-Ring | 2 | |
| 8 | 852693002 | 107182 | Cap 3/4" | 2 | |
| 9-Kit 113/117 | 803262002 | 107904 | O-Ring | 12 | |
| 10 | 864200002 | 107040 | Screw | 32 | |
| 11-Kit 117 | 802143002 | 107692 | Oil Seal | 1 | |
| 12 | 801264002 | 108766 | Shaft Clip 35mm | 1 | |
| 13 | 806585002 | 107011 | Key | 1 | |
| 14/1 | 730319262 | 107015 | Crankshaft (1048) | 1 | |
| 14/2 | 730037262 | 107066 | Crankshaft (1058) | 1 | |
| 15 | 862216002 | 108162 | Screw | 16 | |
| 16 | 853519002 | 107017 | Dipstick | 1 | |
| 17 | 760002092 | 107052 | Upper Crankcase Cover | 1 | |
| 18-Kit 117 | 760065722 | 107086 | Cover Gasket | 1 | |
| 19 | 760301112 | | Connecting Rod | 6 | |
| 20 | 760302762 | 107021 | Ring | 6 | |
| 21 | 760303612 | 107023 | Fork-Connecting Rod Yolk | 6 | |
| 22 | 843651502 | 107248 | Washer | 12 | |
| 23 | 861933002 | 107025 | Screw | 12 | |
| 24-Kit 59/117 | 802180002 | 107226 | Oil Seal | 6 | |
| 25 | 812859002 | 107008 | Roller Bearing | 2 | |
| 26-Kit 117 | 803290002 | 107027 | O-Ring | 2 | |
| 27 | 730061652 | 107029 | Shim | 1 | |
| 27 | 730060652 | 107228 | Shim | 1 | |
| 28 | 730003092 | 107050 | Crankcase Cover | 2 | |
| 29-Kit 117 | 802099602 | 107822 | Cap, Rear Bearing Oil | 1 | |

| POS | VENDOR # | SM # | DESCRIPTION | # | PCS |
|----------------|-----------|--------|------------------------|----|-----|
| 30 | 863696002 | 107028 | Screw | 8 | |
| 31 | 852579002 | 108732 | Cap 3/8" | 1 | |
| 32 | 824109002 | 108490 | Gasket | 1 | |
| 33 | 853515002 | 107230 | Oil Sight Glass | 1 | |
| 34 | 730024612 | 107198 | Mounting Rail | 2 | |
| 35 | 863740002 | 107024 | Screw | 4 | |
| 36 | 843906002 | 107250 | Washer | 4 | |
| 37 | 760300082 | 107031 | Pump Crankcase Bushing | 1 | |
| 38 | 804465002 | 107042 | Bushing | 6 | |
| 39 | 852007302 | 107033 | Piston Pin | 6 | |
| 40 | 730048532 | 107038 | Plunger Bolt | 6 | |
| 41-Kit 117 | 803195502 | 107596 | O-Ring | 6 | |
| 42 | 863900002 | 107036 | Screw | 6 | |
| 43 | 730010182 | 107196 | Ceramic Piston | 6 | |
| 44 | 844301002 | 107206 | Splash Ring | 6 | |
| 45 | 730130512 | 107207 | Plunger Rod | 6 | |
| 46 | 800040002 | 107043 | Snap Ring | 12 | |
| 47 | 802089502 | 107044 | Plug | 2 | |
| 48-Kit 113/117 | 803251002 | AKO | O-Ring | 12 | |
| 49-Kit 113 | 730052432 | AKO | Seat | 12 | |
| 50-Kit 113 | 730053682 | AKO | Valve | 12 | |
| 51-Kit 113 | 730066512 | AKO | Spring | 12 | |
| 52-Kit 113 | 730028322 | AKO | Valve Cage | 12 | |
| 53-Kit 56/57 | 803283002 | 107055 | O-Ring | 6 | |
| 54-Kit 56 | 730070532 | 107098 | Rear Gland | 6 | |
| 55-Kit 56/57 | 802200002 | 107172 | V-Packing | 12 | |
| 56-Kit 56/57 | 730044322 | 107004 | Seal Packer | 12 | |
| 57-Kit 56 | 730068532 | 107102 | Front Gland | 6 | |
| 58-Kit 56/57 | 730040322 | 107168 | Anti-Extrusion Ring | 6 | |
| Kit 56 | 769805973 | | Packing w/Brass Kit 56 | 48 | |
| Kit 57 | 739845973 | | Packing Only Kit 57 | 36 | |
| Kit 59 | 769812973 | | Oil Seal Kit 59 | 6 | |
| Kit 113 | 739870973 | | Check Valve Kit 113 | 18 | |
| Kit 117 | 761060973 | | Accessory Seals 117 | 48 | |

