

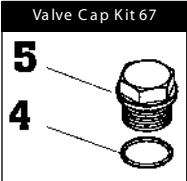
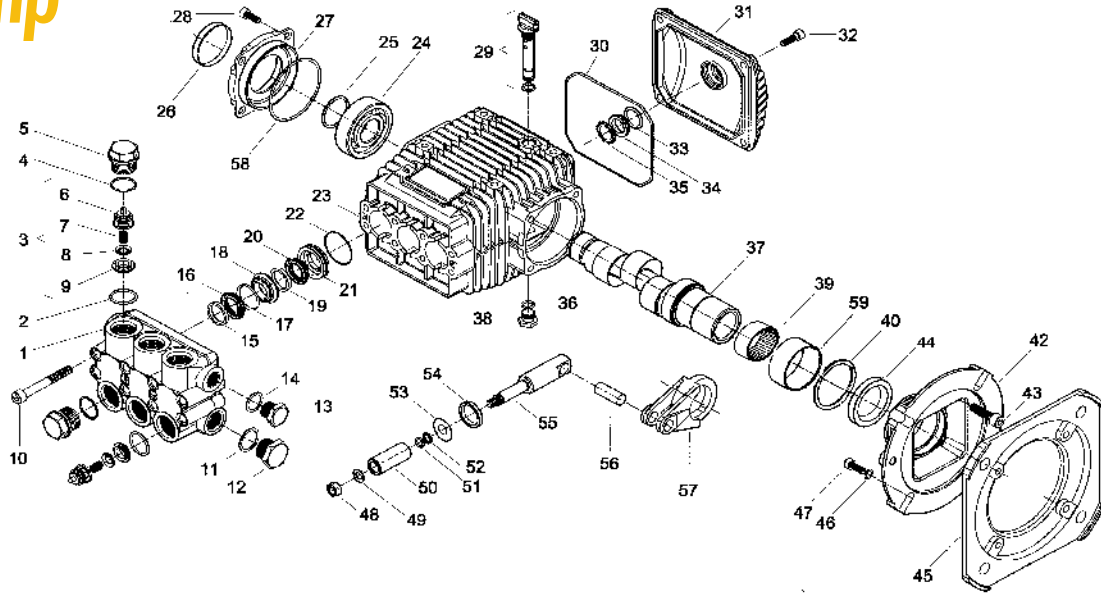
# TMH SERIES

TMH-3035 (105910)

TMH-3040 (105912)

TMH-3050 (105914)

TMH-3055 (105916)



POS	VENDOR #	SM #	DESCRIPTION	#	PCS
1	070071282		Pump Head	1	1
2-Kit 123	803182002	<b>AKO</b>	O-Ring Dia. 2.62x17.13	6	6
3-Kit 123	069846973	<b>AKO</b>	Check Valve	6	6
4-Kit 67	803182002	<b>107872</b>	O-Ring Dia. 2.62x17.13	6	6
5-Kit 67	070040532	<b>108177</b>	Valve Cap	6	6
6-Kit 123	060105322	<b>AKO</b>	Valve Guide	6	6
7-Kit 123	070048512	<b>AKO</b>	Spring	6	6
8-Kit 123	060104512	<b>AKO</b>	Valve	6	6
9-Kit 123	060110512	<b>AKO</b>	Valve Assembly Seat	6	6
10	862985002		Bolt, Soc. Head	8	8
11	824140002	<b>107901</b>	Washer 1/2" Plug	1	1
12	852629002	<b>107180</b>	Oil Drain Plug G 1/2"	1	1
13	852579002	<b>108732</b>	Oil Drain Plug G 3/8"	1	1
14	824109002	<b>108490</b>	Copper Gasket	1	1
15-Kit 71/76	050019322	<b>AKO</b>	Adapter, Male 18mm	3	3
16-Kit 71/76	802061002	<b>AKO</b>	V-Packing	3	3
17-Kit 71/76	050221322	<b>AKO</b>	Packing Check Ring	3	3
18-Kit 71	070013532	<b>AKO</b>	Front Brass Gland 18mm	3	3
19-Kit 71/76	050019322	<b>AKO</b>	Adapter, Male 18mm	3	3
20-Kit 71/76	802061002	<b>AKO</b>	V-Packing	3	3
21-Kit 71	070014532	<b>AKO</b>	Rear Brass Gland	3	3
22-Kit 71/76	803080002	<b>AKO</b>	O-Ring	3	3
23	070001092	<b>108257</b>	Crankcase	1	1
24	812776002	<b>108266</b>	Bearing, Ball	1	1
25	801241002	<b>108292</b>	Clip	1	1
26	802099602	<b>107822</b>	Cap, Rear Bearing Oil	1	1
27	070003092	<b>108268</b>	Flange	1	1
28	862547002	<b>108269</b>	Bolt	4	4
29	049832973	<b>108180</b>	Dipstick, 1/4" New Style	1	1
30-Kit 78	803210682	<b>AKO</b>	O-Ring	1	1
31	040117092	<b>108183</b>	Rear Cover	1	1

POS	VENDOR #	SM #	DESCRIPTION	#	PCS
32	862168002	<b>107343</b>	Bolt, Soc Head	4	4
33-Kit 78	803189002	<b>AKO</b>	O-Ring	1	1
34	040120322	<b>108182</b>	Sight Glass, Oil	1	1
35	801184002	<b>108181</b>	O-Ring, Sight Glass	1	1
36	803057002	<b>AKO</b>	O-Ring	1	1
37/1	070064262		Hollow Crankshaft TMH-3036	1	1
37/2	070065262		Hollow Crankshaft TMH-3040	1	1
37/3	070066262		Hollow Crankshaft TMH-2250-3050	1	1
37/4	070067262		Hollow Crankshaft TMH-1955-3055	1	1
38	852543502	<b>107644</b>	Plug, Oil Drain	1	1
39	812916002	<b>108298</b>	Needle Bearing	1	1
40	801400002		O-Ring	1	1
42	040330092	<b>108386</b>	Flange for NEMA 56C	1	1
43	862168002	<b>107343</b>	Bolt, Soc Head	1	1
44-Kit 78	802191002	<b>AKO</b>	Oil Seal, Shaft	4	4
45	050057092	<b>108577</b>	Counter Flange	1	1
46	843710002	<b>108908</b>	Head Bolt, Washer	3	3
47	862682002	<b>108150</b>	Bolt, Adapter Flange	3	3
48	814560002		S.S. Nut	3	3
49	843642902	<b>108900</b>	Washer, Plunger Nut	3	3
50	070008182	<b>108272</b>	Piston, 18mm	3	3
51	803055502	<b>107863</b>	O-Ring	3	3
52	803912002	<b>107804</b>	Backing, Split TEF	3	3
53	843826002	<b>108274</b>	Washer	3	3
54-Kit 65/78	802063502	<b>AKO</b>	Plunger Seal	3	3
55	070010512	<b>108276</b>	Piston Guide	3	3
56	852006282	<b>108277</b>	Piston Pin	3	3
57	070006092	<b>108278</b>	Connecting Rod	2	2
58-Kit 78	803080702	<b>108267</b>	O-Ring	4	4
59	070046412			1	1
Kit 65	049837973	<b>106865</b>	Oil Seal Kit 65	3	3
Kit 67	049839973	<b>106867</b>	Valve Cap/O-Ring Kit 67	12	12
Kit 71	079805973	<b>106871</b>	Packing w/Brass Kit 71	24	24
Kit 76	079807973	<b>106876</b>	V-Packing Only Kit 76	18	18
Kit 78	079809973	<b>106878</b>	Accessory Seal Kit 78	8	8
Kit 123	069867973	<b>106923</b>	Check Valve Kit 123	12	12

V-Packing Kit 76

Packing w/Brass Kit 71

Check Valves Kit 123

Accessory Seal Kit 78

