



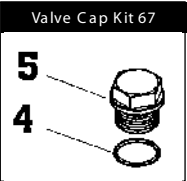
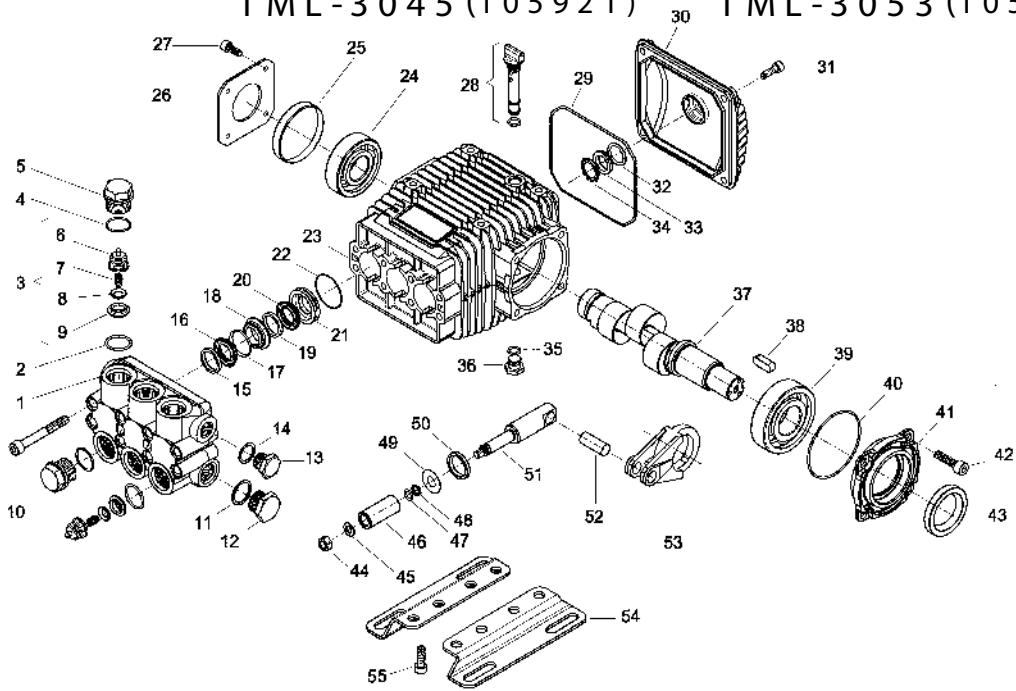
# TML SERIES

TML-3538 (105920)

TML-3545 (105922)

TML-3045 (105921)

TML-3053 (105924)



POS	VENDOR #	SM #	DESCRIPTION	#	PCS
1	070071282		Pump Head	1	1
2-Kit 123	803182002	<b>107594</b>	O-Ring Dia. 2.62x17.13	6	6
3-Kit 123	069846973	<b>AKO</b>	Check Valve	6	6
4-Kit 67	803182002	<b>107594</b>	O-Ring Dia. 2.62x17.13	6	6
5-Kit 67	070040532	<b>108177</b>	Valve Cap	6	6
6-Kit 123	060105322	<b>AKO</b>	Valve Guide	6	6
7-Kit 123	070048512	<b>AKO</b>	Spring	6	6
8-Kit 123	060104512	<b>AKO</b>	Valve	6	6
9-Kit 123	060110512	<b>AKO</b>	Valve Assembly Seat	6	6
10	862985002		Bolt, Soc. Head	8	8
11	824140002	<b>107901</b>	Washer 1/2" Plug	1	1
12	852629002	<b>107180</b>	Oil Drain Plug G 1/2"	1	1
13	852579002	<b>108732</b>	Oil Drain Plug G 3/8"	1	1
14	824109002	<b>108490</b>	Copper Gasket	1	1
15-Kit 71/76	050019322	<b>108012</b>	Seal Packer	3	3
16-Kit 71/76	802061002	<b>AKO</b>	V-Packing	3	3
17-Kit 71/76	050221322	<b>108708</b>	External Check Ring	3	3
18-Kit 71	070013532	<b>108254</b>	Front Gland	3	3
19-Kit 71/76	050019322	<b>108012</b>	Seal Packer	3	3
20-Kit 71	802061002	<b>AKO</b>	V-Packing	3	3
21-Kit 71/76	070014532	<b>108255</b>	Rear Gland	3	3
22	803080002	<b>AKO</b>	O-Ring	3	3
23	070001092	<b>108257</b>	Crankcase	1	1
24/1	812730002	<b>108086</b>	Bearing, Ball (3538,3545)	1	1
24/2	812725102	<b>108593</b>	Bearing, Ball (3053,3045)	1	1
25-Kit 77	802102002	<b>108258</b>	Cap, Rear Bearing Oil	1	1
26	050045612	<b>108306</b>	Crankcase Cover	1	1
27	862108002	<b>107816</b>	Bolt	4	4
28	049832973	<b>108180</b>	Dipstick, 1/4" New Style	1	1
29-Kit 77	803210682	<b>107609</b>	O-Ring	1	1
30	040117092	<b>108183</b>	Rear Cover	1	1
31	862168002	<b>107343</b>	Galvanized Screw	4	4
32-Kit 77	803189002	<b>107595</b>	O-Ring	1	1

POS	VENDOR #	SM #	DESCRIPTION	#	PCS
33	040120322	<b>108182</b>	Sight Glass, Oil	1	1
34	801184002	<b>108181</b>	O-Ring, Sight Glass	1	1
35-Kit 77	803057002	<b>AKO</b>	O-Ring	1	1
36	852543502	<b>107644</b>	Plug, Oil Drain	1	1
37/1	070035262	<b>108263</b>	Crankshaft (3538)	1	1
37/2	070037262	<b>108264</b>	Crankshaft (3045,3545)	1	1
37/3	070038262	<b>108265</b>	Crankshaft (3053)	1	1
38	806534002	<b>107539</b>	Key, Rounded	1	1
39/1	812776202		Ball Bearing (3538,3545)	1	1
39/2	812776102		Ball Bearing (3053,3045)	1	1
40-Kit 77	803080702	<b>108267</b>	O-Ring	1	1
41	070003092	<b>108268</b>	Flange	1	1
42	862547002	<b>108269</b>	Screw	4	4
43-Kit 77	802119002	<b>108270</b>	Oil Seal	1	1
44	814560002		S.S. Nut	3	3
45	843642902	<b>108900</b>	Washer	3	3
46	070008182	<b>108272</b>	Ceramic Piston 15mm	3	3
47	803055502		Viton O-Ring	3	3
48	803912002	<b>107804</b>	Backup Ring	3	3
49	843826002	<b>108274</b>	Washer, Copper	3	3
50-Kit 65/77	802063502	<b>108275</b>	Axial Ring	3	3
51	070010512	<b>108276</b>	Piston Guide	3	3
52	852006282	<b>108277</b>	Piston Pin	3	3
53/1	070005112	<b>108281</b>	Connecting Rod (3538,3545)	3	3
53/2	070006092	<b>108278</b>	Connecting Rod (3053,3045)	3	3
54-Opt.	040247612	<b>108841</b>	Mounting Rail	2	2
55-Opt.	862495002	<b>108840</b>	Screw	4	4
56-Opt.	079802973	<b>106756</b>	Mounting Rail Kit	1	1
Kit 65	049837973	<b>106865</b>	Oil Seal Kit 65	3	3
Kit 67	049839973	<b>106867</b>	Valve Cap Kit 67	12	12
Kit 71	079805973	<b>106871</b>	Packing w/Brass Kit 71	24	24
Kit 76	079807973	<b>106876</b>	V-Packing Kit 76	18	18
Kit 77	079808973	<b>106877</b>	Accessory Seal Kit 77	8	8
Kit 123	069867973	<b>106923</b>	Check Valve Kit 123	12	12

