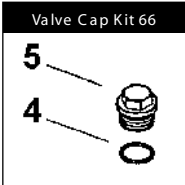
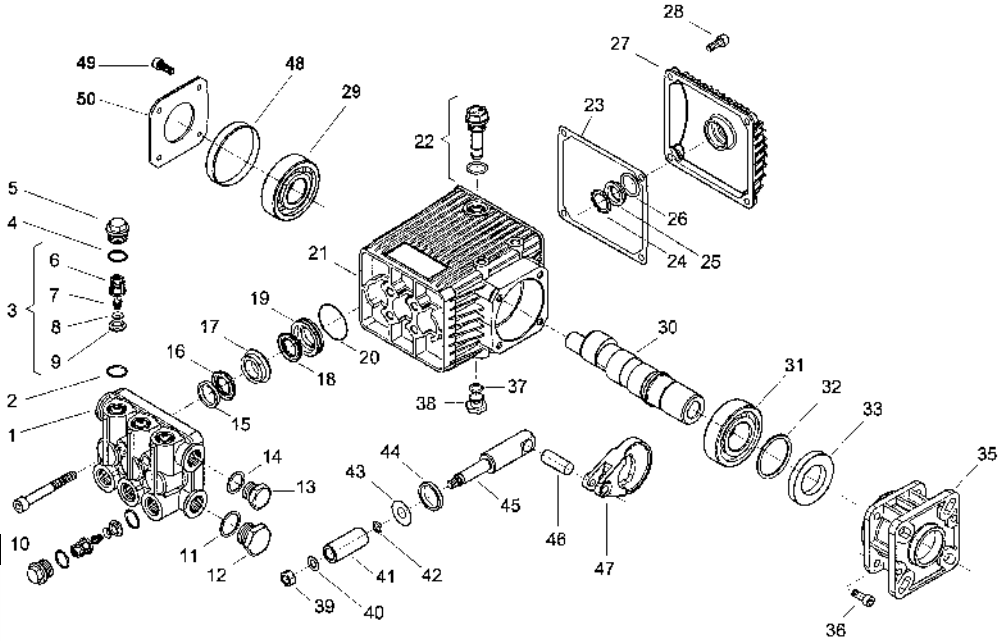




WJG-2521(105810)
WJG-2525(105812)
WJG-2530(105814)
WJG-2535(105816)



POS	VENDOR #	SM #	DESCRIPTION	#	PCS
1	040108282	108365	Pump Head D.15	1	1
2-Kit 84	803060002	AKO	O-Ring Dia. 1.78x12.42	6	6
3-Kit 84	049825973	AKO	Check Valve	6	6
4-Kit 66	803066002	108865	O-Ring, Valve Plug	6	6
5-Kit 66	040103532	108861	Valve Plug	6	6
6-Kit 84	040024322	AKO	Valve Cage	6	6
7-Kit 84	040025512	AKO	Spring	6	6
8-Kit 84	040026682	AKO	Poppet	6	6
9-Kit 84	040028512	AKO	Seat	6	6
10	862900002	108166	Bolt, Hex Socket M8x55 12	4	4
11	824109002	108490	Copper Gasket Dia. 17x22x1	1	1
12	852579002	108732	Plug G 3/8	1	1
13	852579002	108732	Plug G 3/8	1	1
14	824109002	108490	Copper Gasket Dia. 17x22x1	1	1
15-Kit 60/61	040019322	AKO	Seal Packer	3	3
16-Kit 60/61	802062002	AKO	V-Packing Dia. 18x28x6.5	3	3
17-Kit 61	040105532	AKO	Font Gland Dia. 15	3	3
18-Kit 60/61	802034002	AKO	U Pressure Seal Dia.15x22x5.5	3	3
19-Kit 61	040104532	AKO	Back Gland Dia. 15	3	3
20-Kit 60/61	803073002	AKO	O-Ring Dia. 23.52x1.78	3	3
21/1	040101092	108364	Crankcase G1/4	1	1
21/2	040337092		Crankcase G3/8 (Before 6/2002)	1	1
22/1	049832973	108180	Dipstick 1/4" w/ O-ring	1	1
22/2	852570002	108460	Dipstick 3/8" w/ O-ring	1	1
23	050050722	108492	Rear Crankcase Cover Gasket	1	1
24	801184002	108181	O-Ring, Sight Glass	1	1
25	040120322	108182	Oil Sight Glass	1	1
26	803189002	107595	O-Ring Dia. 2.72x18.72	1	1

POS	VENDOR #	SM #	DESCRIPTION	#	PCS
27	040106092	108363	Rear Cover	1	1
28	862166002	108170	Screw M6x20	4	4
29	812707002	108592	Ball Bearing Riv 2 A/25	1	1
30/1	040122262	108368	Hollow Crankshaft 3/4"(WJG 2021-2521)	1	1
30/2	040123262	108369	Hollow Crankshaft 3/4"(WJG 2025-2625)	1	1
30/3	040246262	108394	Hollow Crankshaft 3/4"(WJG 2030-2530)	1	1
30/4	040125262	108370	Hollow Crankshaft 3/4"(WJG 2035-2535)	1	1
31	812750002	108594	Ball Bearing 30x62x16	1	1
33-Kit 82	802125502	108194	Oil Seal, Shaft (NEW)	1	1
35	040329092		Flange	1	1
36	862166002	108170	Bolt, Flat Rear Cover	4	4
37-Kit 82	803057002		O-Ring	1	1
37-Kit 82	824107002	107777	Washer, Plug (Before 6/2002)	1	1
38	852543502	107644	Plug, Oil Drain 1/4"	1	1
38	852579002	108732	Plug, Drain 3/8" (Before 6/2002)	1	1
39	814561002	108570	S.S. Nut M8	3	3
40	843642902	108900	Plunger Nut	3	3
41	040010182	108750	Ceramic Piston Dia. 15mm	3	3
42	803049002	107862	O-Ring Dia. 1.78x5.28	3	3
43	843726002	108830	Splash Ring, Plunger	3	3
44-Kit 64/82	802035002	108798	Oil Seal Dia. 15x24x5	3	3
45	040012512	108776	Plunger Rod	3	3
46	852003002	108722	Piston Pin Dia. 8x25	3	3
47	040116112	108366	Bronze Connecting Rod	3	3
48-Kit 82	802099602	107822	Rear Bearing Oil Cap	1	1
49	861955002	108597	Galv. Bolt TCEI M6x10 UNI 5931	4	4
50	050045612	108306	Side Plate Cover	1	1
Kit 60	049818973	106860	V-Packing Kit 60	12	12
Kit 61	049819973	106861	Packing/Brass Assy.	18	18
Kit 64	049836973	106864	Plunger Oil Seal Kit 64	3	3
Kit 66	049838973	106866	Valve Cap/O-Ring M18x1.5	12	12
Kit 82	049846973	106882	Accessory Seal Kit 82	8	8
Kit 84	049848973	106884	Check Valve/O-Ring Kit 84	12	12

