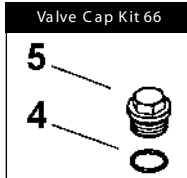
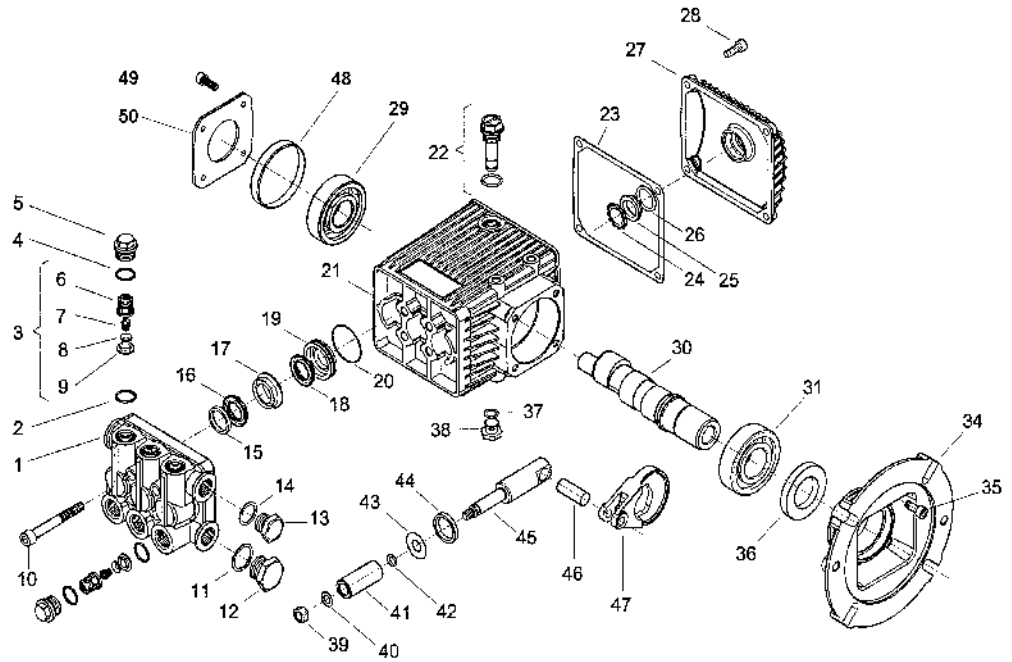




WJH-2521-F (105820)

WJH-2530-F (105824)

WJH-2525-F



POS	VENDOR #	SM #	DESCRIPTION	#	PCS
1	040108282	<b>108365</b>	Pump Head D.15	1	1
2-Kit 84	803060002	<b>AKO</b>	O-Ring Dia. 1.78x12.42	6	6
3-Kit 84	049825973	<b>AKO</b>	Check Valve	6	6
4-Kit 66	803066002	<b>108865</b>	O-Ring, Valve Plug	6	6
5-Kit 66	040103532	<b>108861</b>	Valve Plug	6	6
6-Kit 84	040024322	<b>AKO</b>	Valve Cage	6	6
7-Kit 84	040025512	<b>AKO</b>	Spring	6	6
8-Kit 84	040026682	<b>AKO</b>	Poppet	6	6
9-Kit 84	040028512	<b>AKO</b>	Seat	6	6
10	862900002	<b>108166</b>	Bolt, Hex Socket M8x55 12	4	4
11	824109002	<b>108490</b>	Copper Gasket Dia. 17x22x1	1	1
12	852579002	<b>108732</b>	Plug G 3/8	1	1
13	852579002	<b>108732</b>	Plug G 3/8	1	1
14	824109002	<b>108490</b>	Copper Gasket Dia. 17x22x1	1	1
15-Kit 60/61	040019322	<b>AKO</b>	Seal Packer	3	3
16-Kit 60/61	802062002	<b>AKO</b>	V-Packing Dia. 18x28x6.5	3	3
17-Kit 61	040105532	<b>AKO</b>	Font Gland Dia. 15	3	3
18-Kit 60/61	802034002	<b>AKO</b>	U Pressure Seal Dia.15x22x5.5	3	3
19-Kit 61	040104532	<b>AKO</b>	Back Gland Dia. 15	3	3
20-Kit 60/61	803073002	<b>AKO</b>	O-Ring Dia. 23.52x1.78	3	3
21/1	040101092	<b>108364</b>	Crankcase G1/4	1	1
21/2	040337092		Crankcase G3/8 (Before 6/2002)	1	1
22/1	049832973	<b>108180</b>	Dipstick 1/4" w/ O-ring	1	1
22/2	852570002	<b>108460</b>	Dipstick 3/8" w/ O-ring	1	1
23	050050722	<b>108492</b>	Rear Crankcase Cover Gasket	1	1
24	801184002	<b>108181</b>	O-Ring, Sight Glass	1	1
25	040120322	<b>108182</b>	Oil Sight Glass	1	1
26	803189002	<b>107595</b>	O-Ring Dia. 2.62x18.72	1	1

POS	VENDOR #	SM #	DESCRIPTION	#	PCS
26-Kit 82	803189002	<b>107595</b>	O-Ring Dia. 2.62x18.72	1	1
27	040106092	<b>108363</b>	Rear Cover	1	1
28	862166002	<b>108170</b>	Screw M6x20	4	4
29	812707002	<b>108592</b>	Ball Bearing Riv 2 A/25	1	1
30/1	040127262	<b>108371</b>	5/8" Hollow Crank E=2,4 (2521)	1	1
30/2	040128262	<b>108372</b>	5/8" Hollow Crank E=3 (2525)	1	1
30/3	040141262	<b>108380</b>	5/8" Hollow Crank E=3,6 (2530)	1	1
31	812750002	<b>108594</b>	Ball Bearing 30x62x16	1	1
34	040330092		Flange for NEMA 56C	1	1
35	862168002	<b>107343</b>	Bolt	4	4
36	802125502		Oil Seal, Shaft (NEW)	1	1
37-Kit 82	824107002	<b>107777</b>	Washer Plug	1	1
38	852579002	<b>108732</b>	Plug G 3/8"	1	1
39	814561002	<b>108570</b>	S.S. Nut	3	3
40	843642902	<b>108900</b>	Washer Dia. 8.1x14x1	3	3
41	040010182	<b>108750</b>	Ceramic Piston Dia. 15mm	3	3
42	803049002	<b>107862</b>	O-Ring Dia. 1.78x5.28	3	3
43	843726002	<b>108830</b>	Splash Ring	3	3
44-Kit 64/82	802035002	<b>AKO</b>	Oil Seal Dia. 15x24x5	3	3
45	040012512	<b>108776</b>	Plunger Rod	3	3
46	852003002	<b>108722</b>	Piston Pin Dia. 8x25	3	3
47	040116112	<b>108366</b>	Bronze Connecting Rod	3	3
48-Kit 82	802099602	<b>107822</b>	Rear Bearing Oil Cap	1	1
49	861955002	<b>108597</b>	Galv. Bolt TCEI M6x10 UNI 5931	4	4
50	050045612	<b>108306</b>	Side Plate Cover	1	1
Kit 60	049818973	<b>106860</b>	V-Packing Kit 60	12	12
Kit 61	049819973	<b>106861</b>	Packing/Brass Assy.	18	18
Kit 64	049836973	<b>106864</b>	Plunger Oil Seal Kit 64	3	3
Kit 66	049838973	<b>106866</b>	Valve Cap/O-Ring M18x1.5	12	12
Kit 82	049846973	<b>106882</b>	Accessory Seal Kit 82	8	8
Kit 84	049848973	<b>106884</b>	Check Valve/O-Ring Kit 84	12	12

