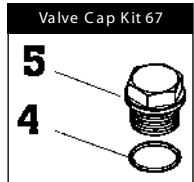
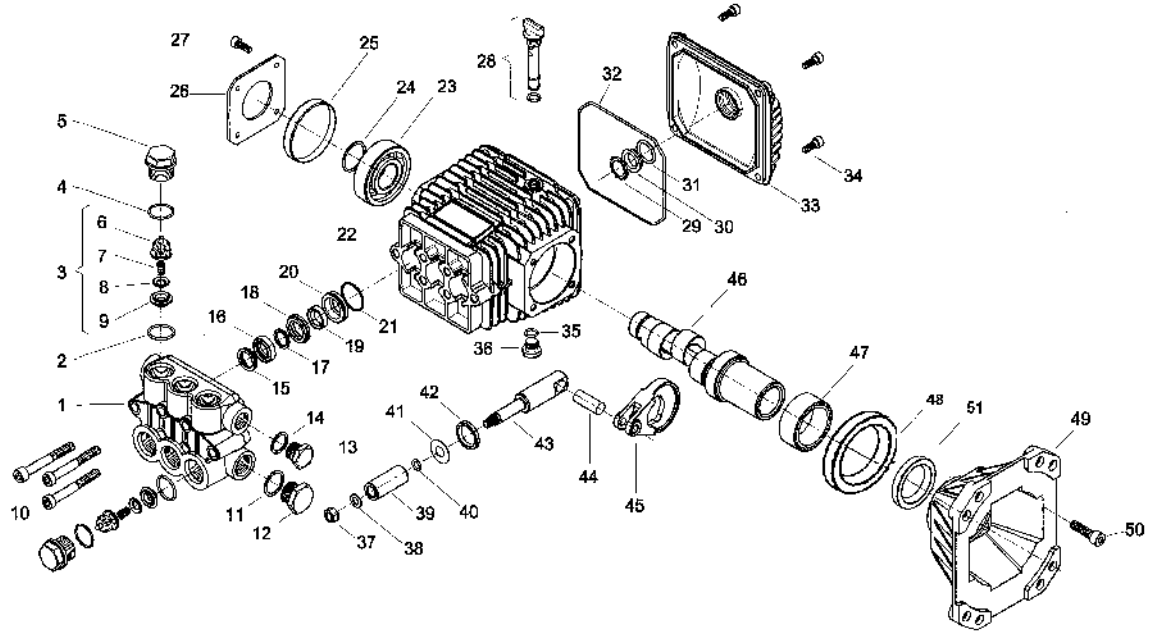


# WMG 1" SERIES

WMG 1" - 3530 (105850)

WMG 1" - 3535 (105852)

WMG 1" - 3540 (105854)



POS	VENDOR #	SM #	DESCRIPTION	#	PCS
1	040119282	<b>108367</b>	Pump Head (D.15)	1	1
2-Kit 124	803182002	<b>AKO</b>	O-Ring Dia. 2.62x17.13	6	6
3-Kit 124	049887973	<b>AKO</b>	Check Valve	6	6
4-Kit 67	803182002	<b>107872</b>	O-Ring Dia. 2.62x17.13	6	6
5-Kit 67	070040532	<b>108177</b>	Valve Cap	6	6
6-Kit 124	040114322	<b>AKO</b>	Valve Guide	6	6
7-Kit 124	040330512	<b>AKO</b>	Spring	6	6
8-Kit 124	060104512	<b>AKO</b>	Valve	6	6
9-Kit 124	040023512	<b>AKO</b>	Valve Assembly Seat	6	6
10	862945002	<b>107356</b>	Bolt, Soc. Head	6	6
11	824140002	<b>107901</b>	Washer 1/2" Plug	1	1
12	852629002	<b>107180</b>	Oil Drain Plug G 1/2"	1	1
13	852579002	<b>108732</b>	Oil Drain Plug G 3/8"	1	1
14	824109002	<b>108490</b>	Copper Gasket	1	1
15-Kit 68/73	040270322	<b>AKO</b>	Seal Packer	3	3
16-Kit 68/73	802020002	<b>AKO</b>	V-Packing	3	3
17-Kit 68/73	040269322	<b>AKO</b>	External V Ring	3	3
18-Kit 68	040268532	<b>AKO</b>	Front Brass Gland	3	3
19-Kit 68/73	802034002	<b>AKO</b>	U Pressure Seal	3	3
20-Kit 68	040166532	<b>AKO</b>	Rear Brass Gland	3	3
21-Kit 68/73	803073002	<b>AKO</b>	O-Ring Dia. 23.52x1.78	3	3
22	040110092	<b>108179</b>	Crankcase	1	1
23	812725002	<b>108080</b>	Bearing	1	1
24	801185002	<b>108588</b>	Shaft Ring Dia.25	1	1
25-Kit 79	802101002	<b>108250</b>	Rear Bearing Cap	1	1
26	050045612	<b>108306</b>	Side Plate Cover	1	1
27	862108002	<b>017816</b>	Bolt, Soc. Head	4	4

POS	VENDOR #	SM #	DESCRIPTION	#	PCS
28	049832973	<b>108180</b>	Dip Stick, 1/4" (New Style)	1	1
29	801184002	<b>108181</b>	O-Ring, Sight Glass	1	1
30	040120322	<b>108182</b>	Oil Sight Glass	1	1
31-Kit 79	803189002	<b>107595</b>	O-Ring	1	1
32-Kit 79	803210682	<b>107609</b>	O-Ring	1	1
33	040117092	<b>108183</b>	Rear Cover	1	1
34	862168002	<b>107343</b>	Galv. Screw M6x22	4	4
35-Kit 79	803057002	<b>AKO</b>	O-Ring	1	1
36	852543502	<b>107644</b>	Plug, Oil Drain 1/4"	1	1
37	814561002	<b>108572</b>	S.S. Nut M8 UNI 5589	3	3
38	843642902	<b>108900</b>	Plunger Nut	3	3
39	040010182	<b>108750</b>	Plunger 15mm, Ceramic	3	3
40	803049002	<b>107862</b>	O-Ring	3	3
41	843726002	<b>108830</b>	Splash Ring	3	3
42-Kit 64/79	802035002	<b>108875</b>	Oil Seal	3	3
43	040107512	<b>108184</b>	Plunger Rod	3	3
44	852003002	<b>108722</b>	Piston Pin	3	3
45	040116112	<b>108366</b>	Bronze Connecting Rod	3	3
46/1	040324262		Hollow Crankshaft 1" (3030-3530)	1	1
46/2	040325262		Hollow Crankshaft 1" (3035-3535)	1	1
46/3	040327262		Hollow Crankshaft 1" (3040-3540)	1	1
47	812878902	<b>108084</b>	Bearing, Needle	1	1
48	040328412			1	1
49	070045092			1	1
50	862216002	<b>108162</b>	Bolt, Gas Flange	4	4
51-Kit 79	802188002	<b>AKO</b>		1	1
Kit 64	049836973	<b>106864</b>	Oil Seal Kit 64	3	3
Kit 67	049839973	<b>106867</b>	Valve Cap/O-Ring Kit 67	12	12
Kit 68	049840973	<b>106868</b>	Packing w/Brass Kit 68	21	21
Kit 73	049843973	<b>106873</b>	V-Packing Only Kit 73	15	15
Kit 79	049842973	<b>106879</b>	Accessory Seal Kit 80	8	8
Kit 124	049890973	<b>106924</b>	Check Valve Kit 124	12	12

