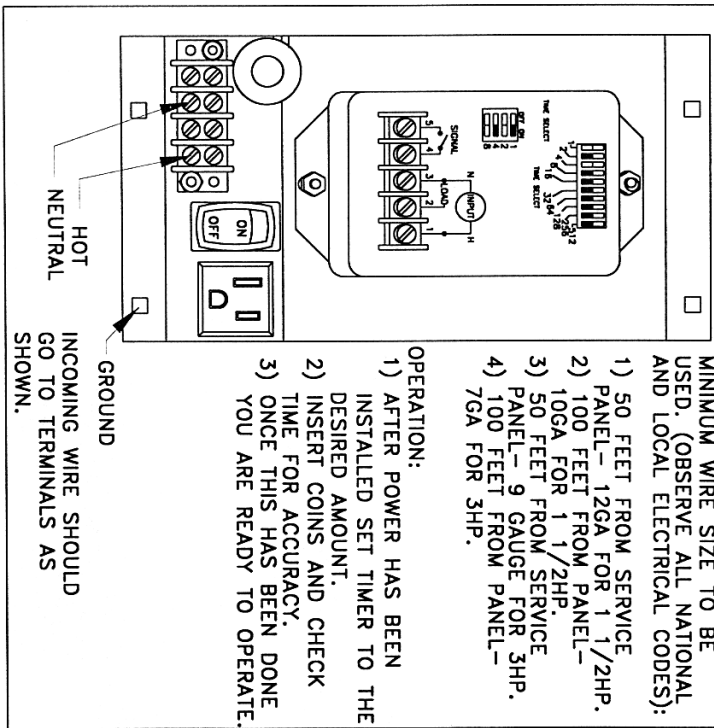
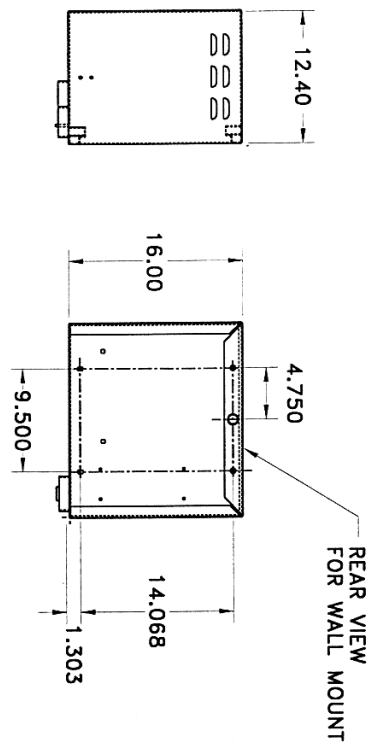
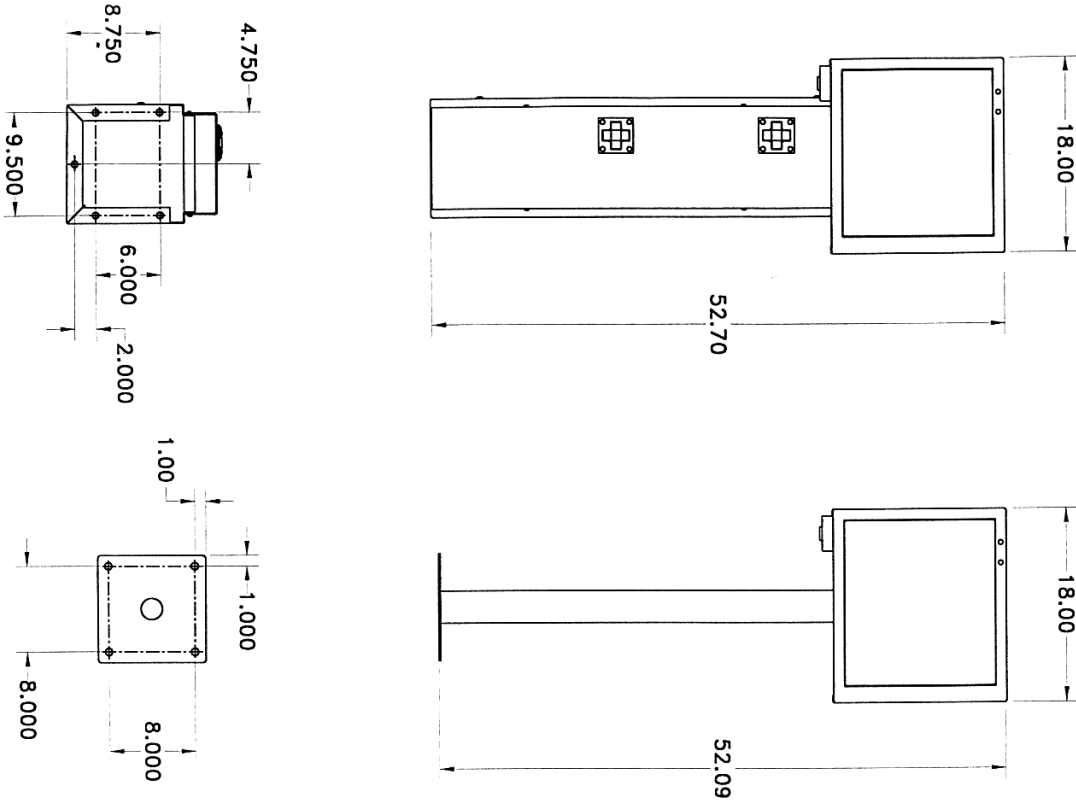


AIR MACHINE INSTALLATION



- MINIMUM WIRE SIZE TO BE USED. (OBSERVE ALL NATIONAL AND LOCAL ELECTRICAL CODES):**
- 1) 50 FEET FROM SERVICE PANEL— 12GA FOR 1 1/2HP.
 - 2) 100 FEET FROM PANEL— 10GA FOR 1 1/2HP.
 - 3) 50 FEET FROM SERVICE PANEL— 9 GAUGE FOR 3HP.
 - 4) 100 FEET FROM PANEL— 7GA FOR 3HP.

- OPERATION:**
- 1) AFTER POWER HAS BEEN INSTALLED SET TIMER TO THE DESIRED AMOUNT.
 - 2) INSERT COINS AND CHECK TIME FOR ACCURACY.
 - 3) ONCE THIS HAS BEEN DONE YOU ARE READY TO OPERATE.