



FEATURES

- Square, ventilated, durable black nylon Insulator for operator comfort and safety.
- Suitable for hot or cold water cleaning.
- Durable 2-piece Nozzle Protector reduces nozzle clogging and damage.
- Zinc plated and 304SS construction for cleaning flexibility.



FEATURES

- Lightweight molded lance for sure grip and optimum control.
- New molded insulator eliminates assembly and adjustment.
- Optional lengths for flexibility and specialized cleaning.

Single Lances

Zinc Plated Models

31017, 32031, 32032, 32033
32034, 32035, 32036, 34732

SPECIFICATIONS

	U.S. Measure	Metric Measure
Maximum Flow	10.5 GPM	(40 L/M)
Maximum Pressure	3650 PSI	(250 BAR)
Maximum Temperature	320°F	(160°C)
Inlet Fitting (32036 and 34732 only).....	1/4" NPTM	(1/4" NPTM)
Inlet Fitting.....	1/4" BSPM	(1/4" BSPM)
Nozzle Holder.....	1/4" NPTF	(1/4" NPTF)
	31017	32031 32032
Length (in/mm)	27"/700	36"/900 48"/1200
Weight (oz./kg)	21.8/62	24.2/68 35.4/1.00
	32033	32034 32035
Length (in/mm)	60"/1500	67"/1700 79"/2000
Weight (oz./kg)	41/1.16	43.8/1.24 49.1/1.39

Stainless Models

32042, 32701, 32702, 32703
32704, 32705, 32706, 34733

SPECIFICATIONS

	U.S. Measure	Metric Measure
Maximum Flow	10.5 GPM	(40 L/M)
Maximum Pressure	3650 PSI	(250 BAR)
Maximum Temperature	320°F	(160°C)
Inlet Fitting (32042 and 34733 only).....	1/4" NPTM	(1/4" NPTM)
Inlet Fitting.....	1/4" BSPM	(1/4" BSPM)
Nozzle Holder.....	1/4" NPTF	(1/4" NPTF)
	32701	32042 34733
Length (in/mm)	27"/700	36"/900 48"/1200
Weight (oz./kg)	19.4/55	21.8/62 31.6/90
	32704	32705 32706
Length (in/mm)	60"/1500	67"/1700 79"/2000
Weight (oz./kg)	37.3/1.06	39.4/1.12 43.8/1.24

Square Molded

Zinc Plated Models

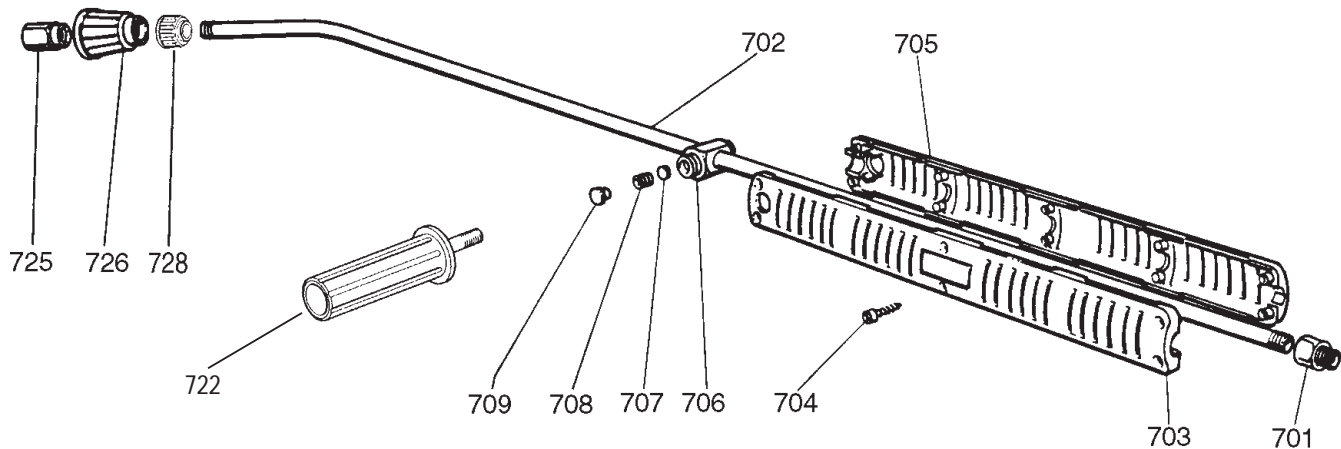
32264, 32266, 32267, 32268, 32269

SPECIFICATIONS

	U.S. Measure	Metric Measure
Maximum Flow	10.5 GPM	(40 L/M)
Maximum Pressure	3650 PSI	(250 BAR)
Maximum Temperature	320°F	(160°C)
Inlet Fitting.....	1/4" BSPM	(1/4" BSPM)
Nozzle Holder.....	1/4" NPTF	(1/4" NPTF)
	32264	32266
Length (in/mm)	24"/600	27"/700
Weight (oz./kg)	14.9/42	18.0/57
	32267	32268 32269
Length (in/mm)	36"/900	48"/1200 60"/1500
Weight (oz./kg)	21.0/60	29.8/84 36.0/1.02

"Customer confidence is our greatest asset"

EXPLODED VIEW



PARTS LIST

ITEM	P/N	MATL	DESCRIPTION	QTY.	ITEM	P/N	MATL	DESCRIPTION	QTY.
701	32868	BB	Fitting, Inlet (1/4")	1	709	32871	NY	Plug	1
702	—	ZP	Tube (600-2000 mm)	1	722	32698	NY	Handle, Side	1
	—	S	Tube (700-2000 mm)	1	725	32053	STZP	Holder, Nozzle	1
703	—	NY	Cover, Lance, Left	1	726	31060	RUB	Protector, Nozzle	1
704	32877	STZP	Screw, Self-Threading (M3.5x18)	6	728	31110	NY	Collar, Protector	1
705	—	NY	Cover, Lance, Right	1	735	31169	—	Protector Assy (Incls: 726, 728)	1
706	—	BB	Frame, Cover	1	736	32865	—	Insulator Assy (Incls: 703, 704, 705, 706)	1
707	32869	BB	Spacer	1					
708	32870	STZP	Screw, Cover (M10)	1					

Italics are optional items.

Material Codes (Not Part of Part No.: BB=Brass NY=Nylon RUB=Rubber S=304SS STZP=Steel/Zinc Plated ZP=Zinc Plated)

SELECTION: Select a lance that matches the system flow and pressure to assure safety during operation. Select standard zinc plated or 304SS for compatibility and longer life.

INSTALLATION: Install these single lances onto any 1/4" fitted gun. Use teflon tape or pipe sealant to assure an air tight fit and thread on hand tight until no leaking is visible.

OPERATION: Flow goes through the lance as soon as the trigger on the gun is squeezed.

CAUTION

Severe injury can occur with high pressure spray. Do not allow spray to contact any part of body.

TROUBLESHOOTING

Leaking at gun connection	<ul style="list-style-type: none"> • Check fitting for proper sealant and reconnect to gun.
Leaking at nozzle	<ul style="list-style-type: none"> • Check for proper sealant at lance and nozzle protector connection and reconnect.
Broken nozzle protector	<ul style="list-style-type: none"> • Replace to assure nozzle life.

WARRANTY

90 Day Warranty

Refer to complete Cat Pump Warranty for further information.

Products described hereon are covered by one or more of the following U.S. patents 3558244, 3652188, 3809508, 3920356, 3930756 and 5035580

Feb 1999 12867

World Headquarters

CAT PUMPS

1681 - 94th Lane N.E. Minneapolis, MN 55449-4324

Phone (612) 780-5440 — FAX (612) 780-2958

e-mail: sales@catpumps.com

www.catpumps.com

International Inquiries

FAX (612) 785-4443

e-mail: intlsales@catpumps.com



The Pump with "Nine Lives"

CAT PUMPS (U.K.) LTD.

1 Fleet Business Park, Sandy Lane, Church Crookham, Fleet

Hampshire GU13 0BF, England

Phone Fleet 44 1252-622031 — Fax 44 1252-626655

N.V. CAT PUMPS INTERNATIONAL S.A.

Heiveldkens 6A, 2550 Kontich, Belgium

Phone 32-3-450.71.50 — Fax 32-3-450.71.51

e-mail: cpi@catpumps.be

CAT PUMPS DEUTSCHLAND GmbH

Buchwiese 2, D-65510 Idstein, Germany

Phone 49 6126-93030 — Fax 49 6126-930333

e-mail: catpumps@t-online.de