



Square Insulated High Pressure Lance

S.S. Models **31219**
31220

FEATURES

- Square ventilated durable blue nylon for operator comfort and safety.
- Suitable for hot or cold water blasting.
- Durable nozzle protector reduces nozzle clogging and damage.
- New higher pressure rating for tougher cleaning.

SELECTION: Select a lance that matches the system flow and pressure to assure safety during operation.

INSTALLATION: Install these single lances to any 1/4" gun. Use teflon tape or pipe sealant to assure an air tight fit and thread on hand tight until no leaking is visible.

SPECIFICATIONS

	U.S. Measure	Metric Measure
MODEL 31219		
Maximum Flow	8 GPM	(30 L/M)
Maximum Pressure	5100 PSI	(350 BAR)
Maximum Temperature	350°F	(176°C)
Inlet Fitting.....	1/4" NPTM	(1/4" NPTM)
Nozzle Holder	1/4" NPTF	(1/4" NPTF)
Weight.....	31.3 oz.	(.89 kg)
Overall Length	32"	(800 mm)
MODEL 31220		
Maximum Flow	8 GPM	(30 L/M)
Maximum Pressure	5100 PSI	(350 BAR)
Maximum Temperature	350°F	(176°C)
Inlet Fitting.....	1/4" NPTM	(1/4" NPTM)
Nozzle Holder	1/4" NPTF	(1/4" NPTF)
Weight.....	33.8 oz.	(.96 kg)
Overall Length	42"	(1050 mm)

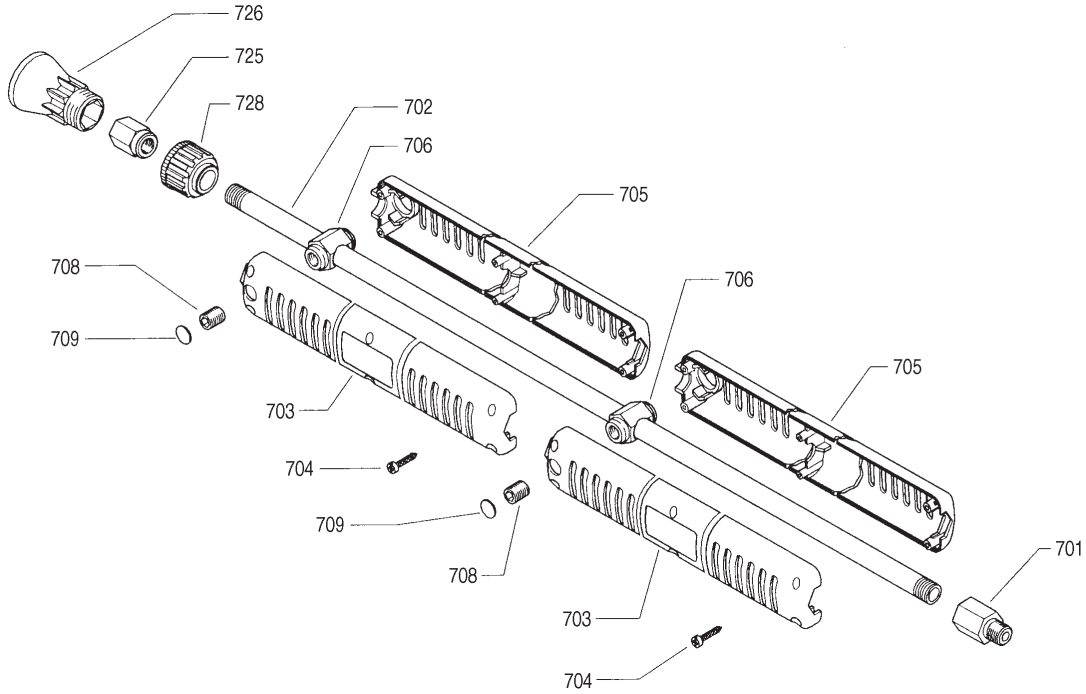
OPERATION: Flow goes through the lance as soon as the trigger on the gun is squeezed.

CAUTION

Severe injury can occur with high pressure spray. Do not allow spray to contact any part of body.

“Customer confidence is our greatest asset”

EXPLODED VIEW



PARTS LIST

ITEM	P/N	MATL	DESCRIPTION	QTY
701	31868	S	Fitting, Inlet (1/4" NPTM x 1/4" NPTF)	1
702	31094	S	Tube (800 mm)	1
	31098	S	Tube (1050 mm)	1
703	31134	NY	Cover, Lance - Left	1/2
704	32877	STZP	Screw, Self Threading (M3.5 x 18)	6/12
705	31014	NY	Cover, Lance - Right	1/2
706	31097	AL	Frame, Cover	1/2
708	32870	STZP	Screw, Cover (M10)	1/2
709	31117	NY	Plug, Cover	1/2
725	32232	SSS	Holder, Nozzle (1/4" NPTF)	1
726	31060	RUB	Protector, Nozzle	1
728	31110	NY	Collar, Protector	1
735	31169	NY	<i>Assembly, Protector (Incls: 725, 726)</i>	1
736	31239	NY	<i>Assembly, Insulator (Incls: 703, 704, 705, 706)</i>	1

Italics are optional items.

Material Codes (Not Part of Part No.):

AL=Aluminum NY=Nylon RUB=Rubber S=304SS SSS=416SS
STZP=Steel/Zinc Plated

TROUBLESHOOTING

Leaking at gun nozzle	• Check fitting for proper sealant and reconnect to gun.
Leaking at nozzle	• Check for proper sealant at lance and nozzle protector connection and reconnect.
Broken nozzle protector	• Replace to assure nozzle life.

WARRANTY

90 Day Warranty

Refer to complete Cat Pump Warranty for further information.

Products described hereon are covered by one or more of the following U.S. patents 3558244, 3652188, 3809508, 3920356, 3930756 and 5035580

Jan 1999 1919

World Headquarters

CAT PUMPS

1681 - 94th Lane N.E. Minneapolis, MN 55449-4324

Phone (612) 780-5440 — FAX (612) 780-2958

e-mail: sales@catpumps.com

www.catpumps.com

International Inquiries

FAX (612) 785-4443

e-mail: intlsales@catpumps.com



The Pump with "Nine Lives"

CAT PUMPS (U.K.) LTD.

1 Fleet Business Park, Sandy Lane, Church Crookham, Fleet

Hampshire GU13 0BF, England

Phone Fleet 44 1252-622031 — Fax 44 1252-626655

N.V. CAT PUMPS INTERNATIONAL S.A.

Heiveldekens 6A, 2550 Kontich, Belgium

Phone 32-3-450.71.50 — Fax 32-3-450.71.51

e-mail: cpi@catpumps.be

CAT PUMPS DEUTSCHLAND GmbH

Buchwiese 2, D-65510 Idstein, Germany

Phone 49 6126-93030 — Fax 49 6126-930333

e-mail: catpumps@t-online.de