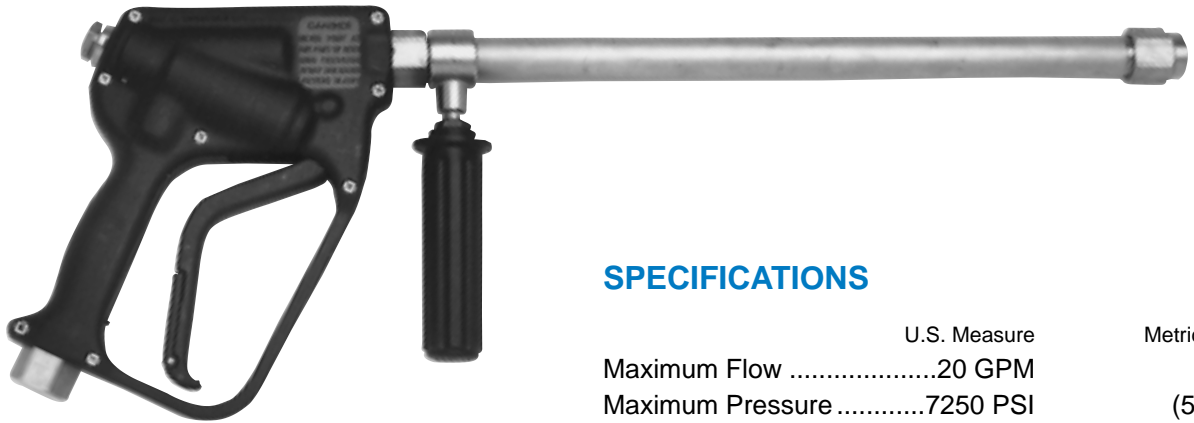




High Pressure Shut-Off Gun

Models 31250
31251, 31254



FEATURES

- Unique valve design permits a gradual pull on the trigger for gradual build up of pressure.
- Contour design with fully adjustable front grip provides comfort and safety.
- Automatic “LOCK-OFF” safety mechanism responds if trigger is released unintentionally.
- Stainless steel internal parts and forged inlet housing for durability.

SELECTION: Select a gun to match your system flow and pressure requirements, temperature and function being performed.

INSTALLATION: Install the appropriate regulating device when using a shut-off gun to avoid pressure spikes when the gun is shut off. Severe damage may occur to your system without this device.

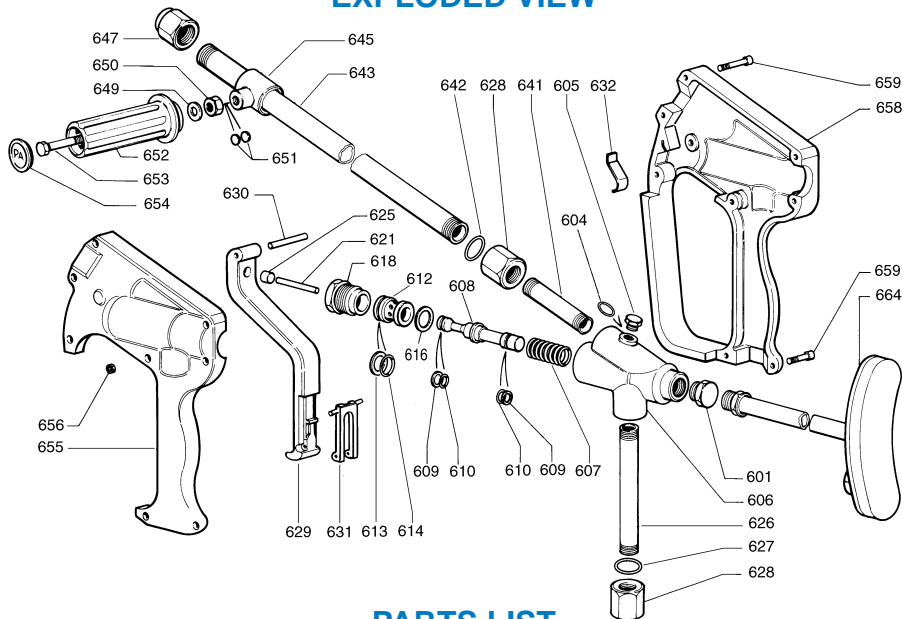
SPECIFICATIONS

	U.S. Measure	Metric Measure
Maximum Flow	20 GPM	(76 L/M)
Maximum Pressure	7250 PSI	(500 BAR)
Maximum Temperature	210°F	(98°C)
Inlet Fitting.....	1/2" NPTF	(1/2" NPTF)
Outlet Fitting (Gun).....	1/4" NPTF	(1/4" NPTF)
Outlet Fitting (Lance).....	1/4" NPTF	(1/4" NPTF)
Weight (with Lance)		
31250.....	5.6 lbs.	(2.54 kg)
31251.....	6.9 lbs.	(3.13 kg)
31254.....	8.7 lbs.	(3.95 kg)
Dimensions (with Lance)		
31250.....	8.5" x 24.0"	(216 x 610 mm)
31251.....	8.5" x 40.0"	(216 x 1010 mm)
31254.....	8.5" x 58.25"	(216 x 1480 mm)

OPERATION: Flow through the gun occurs by squeezing the trigger on the gun. Because of the unique valve design, a gradual pull on the trigger will permit a gradual build-up of pressure up to 7250 PSI. Squeezing the trigger lifts the piston off the seat and allows flow through the flow ports around the perimeter of the seat.

“Customer confidence is our greatest asset”

EXPLODED VIEW



PARTS LIST

ITEM	P/N	MATL	DESCRIPTION	QTY	ITEM	P/N	MATL	DESCRIPTION	QTY
601	32850	NY	Plug, Rear, Red	1	645	33686	STCP	Yoke	1
604	33849	BB	Washer, Plug	1	647	39003	ZP	Washer, Extension	1
605	—	BB	Plug	1	649	33634	STZP	Washer (M10)	1
606	—	BB	Body	1	650	33599	ZP	Nut (M10)	1
607	32846	S	Spring, Piston	1	651	32869	BB	Spacer	2
608	32835	S	Piston	1	652	32874	NY	Grip	1
609	33587	PTFE	Back-up-Ring, Piston	2	653	33638	STZP	Screw (M10x40)	1
610	33559	FPM	O-Ring, Piston	2	654	33697	NY	Cover, Handle	1
612	32834	S	Seat	1	655	33681	NY	Handle, Left Half	1
613	33592	PTFE	Back-up-Ring, Seat	1	656	32413	STZP	Nut (M4)	8
614	33044	NBR	O-Ring, Seat	1	658	33682	NY	Handle, Right Half	1
616	33635	S	Washer (M16)	1	659	32877	STZP	Screw, Self Threading (M3.5x18) (After 2/97)	8
618	33845	S	Retainer, Piston	1	<i>32832</i>	<i>STZP</i>	<i>Screw (M4x20) (Prior to 2/97)</i>	7	
621	32847	S	Rod, Actuator	1	<i>32833</i>	<i>STZP</i>	<i>Screw (M4x14) (Prior to 2/97)</i>	1	
625	33654	S	Striker	1	664	32645	—	Shoulder Support	1
626	32849	S	Pipe, Inlet	1	663	31069	—	Assy, Grip (Incls: 645, 649, 650, 651, 652, 653, 654)	1
627	33848	CU	Washer, Inlet	1	665	33830	—	Assy, Handle (Incls: 655, 658, 659)	1
628	32836	SS	Fitting, Inlet (1/2" NPT)	1	666	32437	—	Assy, Lance/Grip - 400 mm	1
629	33683	—	Trigger	1				(Incls: 642, 643, 645, 647, 649, 650, 651, 652, 653, 654)	
630	33687	S	Pin, Trigger	1	32438	—		Assy, Lance/Grip - 800 mm	1
631	33684	NY	Latch, Safety	1				(Incls: 642, 643, 645, 647, 649, 650, 651, 652, 653, 654)	
632	33685	S	Spring, Trigger	1	32439	—		Assy, Lance/Grip - 1250 mm	1
641	32848	S	Pipe, Discharge	1				(Incls: 642, 643, 645, 647, 649, 650, 651, 652, 653, 654)	
642	32817	S	Holder, Nozzle (1/4")	1	667	32829	—	Assy, Trigger (Incls: 625, 629, 630, 631, 632)	1
643	33947	S	Lance - 400 mm (31250)	1	668	32815	—	Kit, Gun Repair (Incls: 607, 609, 610, 613, 614, 616, 621, 625)	1
	33948	S	Lance - 800 mm (31251)	1	669	34236	FPM	Kit, O-Ring (Incls: 609, 610, 613, 614)	1
	33945	S	Lance - 1250 mm (31254)	1					

Italics are optional items.

MATERIAL CODES (Not Part of Part Number): BB=Brass CP=Chrome Plated FPM=Fluorocarbon (Viton®) NBR=Medium Nitrile (Buna-N) NY=Nylon S=304SS STL=Steel STZP=Steel/Zinc Plated PTFE=Polytetrafluoroethylene (Teflon®) ZP=Zinc Plated

TROUBLESHOOTING

Fluid leaking from discharge of gun

- Foreign material lodged between piston and seat.
- Clean, examine parts for any damage and replace as needed.

Fluid leaking from trigger area

- Piston or seat pitted or worn. Replace as needed.
- Examine O-ring and back-up-ring on seat and replace as needed.
- Examine O-ring and back-up-ring on piston and replace as needed.
- Examine washer for seat and replace as needed.

Fluid leaking from rear of gun or plug, loss of pressure

- Examine O-ring and back-up-ring on piston and replace as needed.
- Check nozzle for foreign material lodged in nozzle or worn nozzle and replace as needed.

WARNING

**Severe injury can occur with high pressure spray.
Do not allow spray to contact any part of body.**

WARRANTY

90 Day Warranty

Refer to complete Cat Pump Warranty for further information.

Products described hereon are covered by one or more of the following U.S. patents 3558244, 3652188, 3809508, 3920356, 3930756 and 5035580

Aug 1999 7972

World Headquarters

CAT PUMPS

1681 - 94th Lane N.E. Minneapolis, MN 55449-4324

Phone (612) 780-5440 — FAX (612) 780-2958

e-mail: sales@catpumps.com

www.catpumps.com

International Inquiries

FAX (612) 785-4329

e-mail: intlsales@catpumps.com



The Pump with "Nine Lives"

CAT PUMPS (U.K.) LTD.

1 Fleet Business Park, Sandy Lane, Church Crookham, Fleet
Hampshire GU13 0BF, England

Phone Fleet 44 1252-622031 — Fax 44 1252-626655

N.V. CAT PUMPS INTERNATIONAL S.A.

Heiveldkens 6A, 2550 Kontich, Belgium

Phone 32-3-450.71.50 — Fax 32-3-450.71.51

e-mail: cpi@catpumps.be www.catpumps.be

CAT PUMPS DEUTSCHLAND GmbH

Buchwiese 2, D-65510 Idstein, Germany

Phone 49 6126-93030 — Fax 49 6126-930333

e-mail: catpumps@t-online.de www.catpumps.de