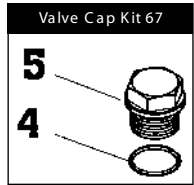
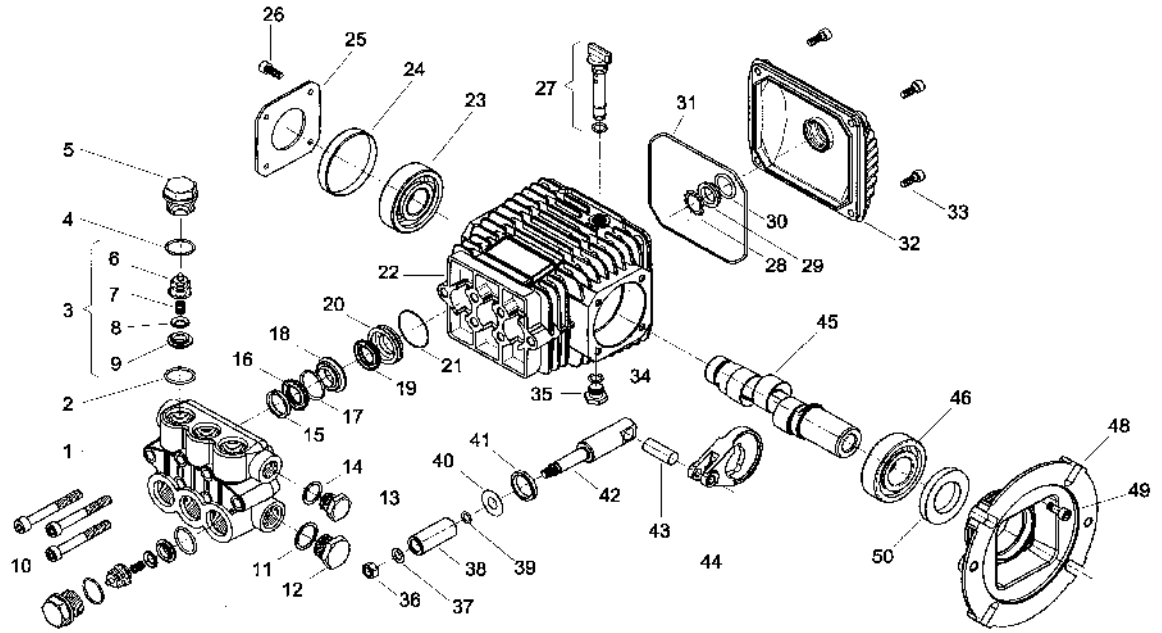


WMH-2021 (105860)  
WMH-2228

WMH-2525 (105862)  
WMH-2035 (105866)



POS	VENDOR #	SM #	DESCRIPTION	#	PCS
1	040118282	<b>108175</b>	Brass Pump Head	1	1
2-Kit 63	803182002	<b>AKO</b>	O-Ring Dia. 2.62x17.13	6	6
3-Kit 63	049824973	<b>AKO</b>	Check Valve	6	6
4-Kit 67	803182002	<b>107872</b>	O-Ring Dia. 2.62x17.13	6	6
5-Kit 67	070040532	<b>108177</b>	Valve Cap	6	6
6-Kit 63	040114322	<b>AKO</b>	Valve Guide	6	6
7-Kit 63	380054512	<b>AKO</b>	Spring	6	6
8-Kit 63	040022682	<b>AKO</b>	Valve	6	6
9-Kit 63	040023512	<b>AKO</b>	Valve Assembly Seat	6	6
10	862945002	<b>107356</b>	Bolt, Soc. Head	6	6
11	824140002	<b>107901</b>	Washer 1/2" Plug	1	1
12	852629002	<b>107180</b>	Oil Drain Plug G 1/2"	1	1
13	852579002	<b>108732</b>	Oil Drain Plug G 3/8"	1	1
14	824109002	<b>108490</b>	Copper Gasket	1	1
15-Kit 70/12	050019322	<b>AKO</b>	Adapter, Male Packing 18mm	3	3
16-Kit 70/12	802061002	<b>AKO</b>	V-Packing	3	3
17-Kit 70/12	050221322	<b>AKO</b>	External Check Ring	3	3
18-Kit 60/61	050223532	<b>AKO</b>	Front Brass Gland Dia. 18mm	3	3
19-Kit 70	802044002	<b>AKO</b>	U Pressure Seal	3	3
20-Kit 70/12	040165532	<b>AKO</b>	Rear Gland	3	3
21-Kit 70/12	803073002	<b>AKO</b>	O-Ring Dia. 23.52x1.78	3	3
22	040110092	<b>108179</b>	Crankcase	1	1
23	812725002	<b>108080</b>	Bearing	1	1
24-Kit 80	802101002	<b>108250</b>	Rear Bearing Cap	1	1
25	050045612	<b>108306</b>	Side Plate Cover	1	1
26	862108002	<b>017816</b>	Bolt, Soc. Head	4	4

POS	VENDOR #	SM #	DESCRIPTION	#	PCS
27	049832973	<b>108180</b>	Dip Stick, 1/4" (New Style)	1	1
28	801184002	<b>108181</b>	O-Ring, Sight Glass	1	1
29	040120322	<b>108182</b>	Oil Sight Glass	1	1
30-Kit 80	803189002	<b>107595</b>	O-Ring	1	1
31-Kit 80	803210682	<b>107609</b>	O-Ring	1	1
32	040117092	<b>108183</b>	Rear Cover	1	1
33	862168002	<b>107343</b>	Galv. Screw M6x22	4	4
34-Kit 80	803057002	<b>AKO</b>	O-Ring	1	1
35	852843502	<b>AKO</b>	Plug 1/4"	1	1
36	814561002	<b>108572</b>	S.S. Nut M8 UNI 5589	3	3
37	843642902	<b>108900</b>	Plunger Nut	3	3
38	050010182	<b>108752</b>	Ceramic Piston Dia. 18mm	3	3
39	803049002	<b>107862</b>	O-Ring	3	3
40	843726002	<b>108830</b>	Splash Ring	3	3
41-Kit 64/80	802035002	<b>108875</b>	Oil Seal	3	3
42	040107512	<b>108184</b>	Plunger Rod	3	3
43	852003002	<b>108722</b>	Piston Pin	3	3
44	040115092	<b>108185</b>	Connecting Rod	3	3
45/1	040141262	<b>108380</b>	Hollow Crankshaft 5/8" (2525)	1	1
45/2	040142262	<b>108381</b>	Hollow Crankshaft 5/8" (2228)	1	1
45/3	040143262	<b>108372</b>	Hollow Crankshaft 5/8" (2035)	1	1
45/4	040128262	<b>108372</b>	Hollow Crankshaft 5/8" (2021)	1	1
46	812750002	<b>108594</b>	Ball Bearing 30x62x16	1	1
48	040330092	<b>107343</b>	Motor Flange NEMA 56/C	1	1
49	862168002	<b>107343</b>	Bolt, Soc Head	4	4
50-Kit 80	802125502	<b>107343</b>	Shaft, Oil Seal	1	1
Kit 12	049813973	<b>106812</b>	V-Packing Kit 12	15	15
Kit 63	049835973	<b>106863</b>	Check Valve/O-Ring Kit 63	12	12
Kit 64	049836973	<b>106864</b>	Plunger Oil Seal Kit 64	3	3
Kit 67	049839973	<b>106867</b>	Valve Cap/O-Ring Kit 67	12	12
Kit 70	049841973	<b>106870</b>	Packing/Brass Assy. Kit 70	21	21
Kit 80	049844973	<b>106880</b>	Accessory Seal Kit 80	8	8

